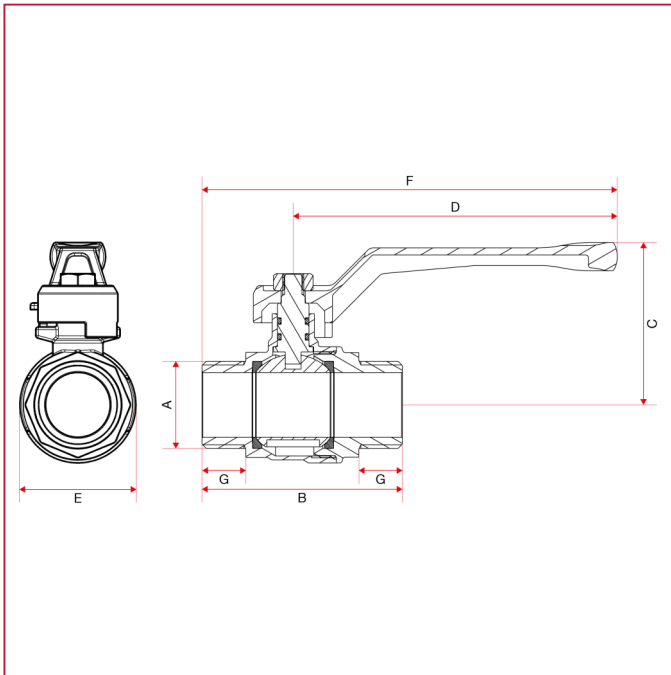




BALL VALVES

099 Full flow ball valve, male/male thread

OVERALL DIMENSIONS art.099

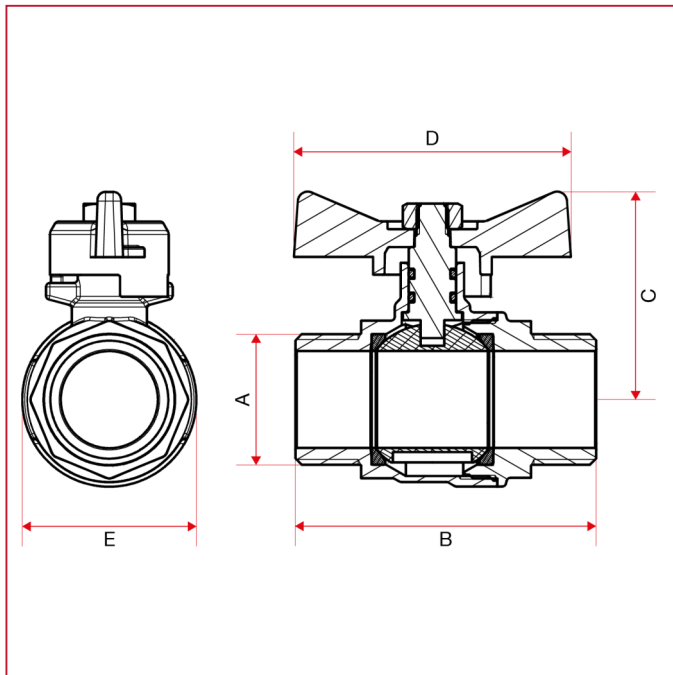


	1/2"	3/4"	1"	1"1/4	1"1/2	2"
DN	15	20	25	32	40	50
A	1/2"	3/4"	1"	1"1/4	1"1/2	2"
B	62	65	76	87	103	113
C	45	48	62	66	83	91
D	95	95	123	123	150	150
E	29,5	37	44	56	68	87
F	121	124	157	163	197	205
G	11,5	13	16,5	16	18	20
Kg/cm ² bar	40	40	40	30	30	30
LBS - psi	580	580	580	435	435	435



BALL VALVES

OVERALL DIMENSIONS art.099F



099F

	1/2"	3/4"	1"
DN	15	20	25
A	1/2"	3/4"	1"
B	62	65	76
C	40	43	52
D	54	54	70
E	29,5	37	44
Kg/cm ² bar	40	40	40
LBS - psi	580	580	580