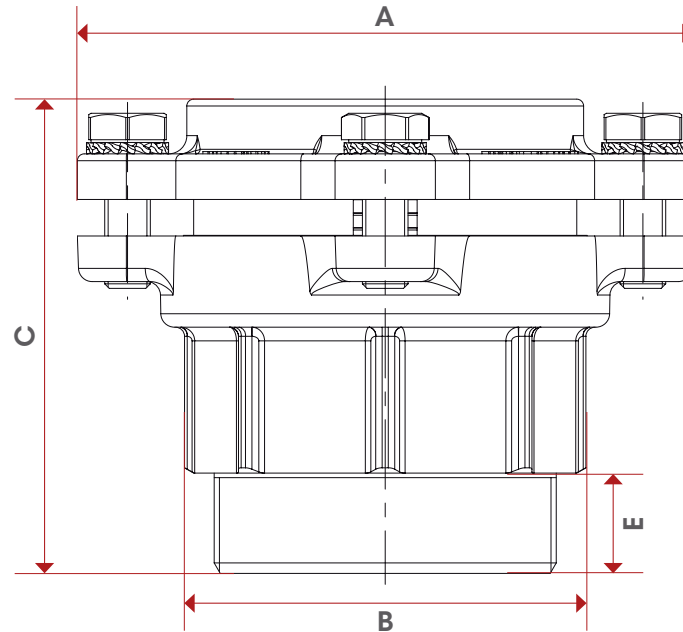


015FL



TEC



	2"1/2x75	3"x90	4"x110
DN	65	80	100
A	135	154	180
B	88	104	130
C	105	115	147
E	22	24	29