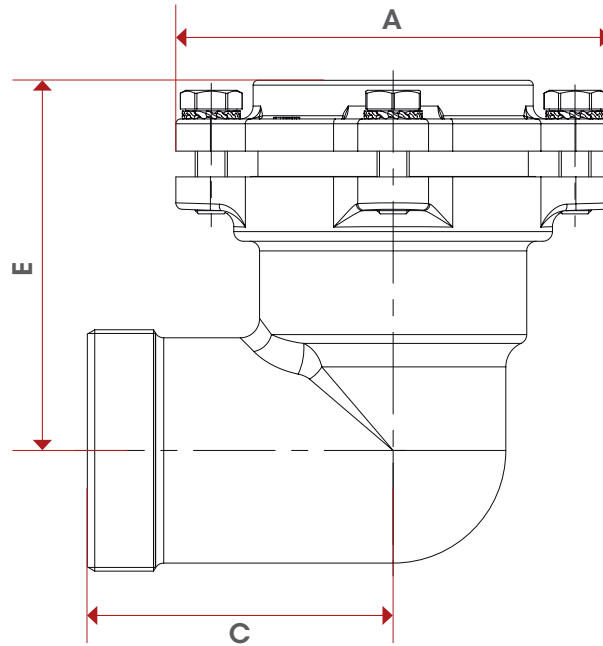


# 040FL



TEC



	2"1/2x75	3"x90
DN	65	80
A	135	154
C	95	107
E	111	133