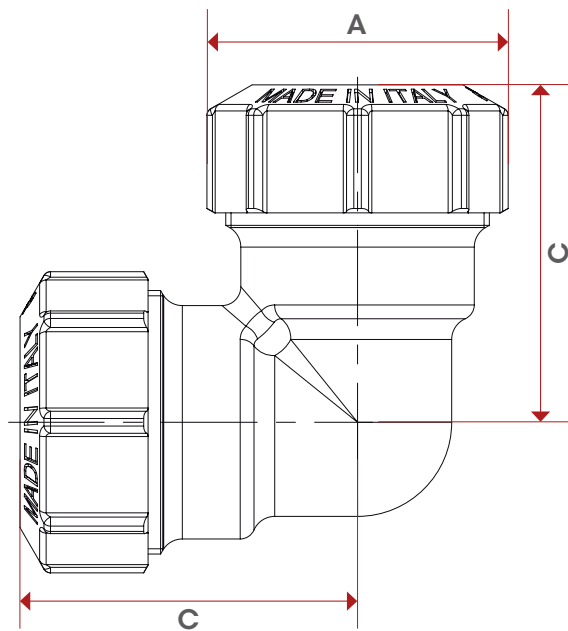


# 050



TEC



	1/2"x20	3/4"x25	1"x32	1"1/4x40	1"1/2x50	2"x63
DN	15	20	25	32	40	50
A	34	40	50	61	71	89
C	38	45	52	62	72	92