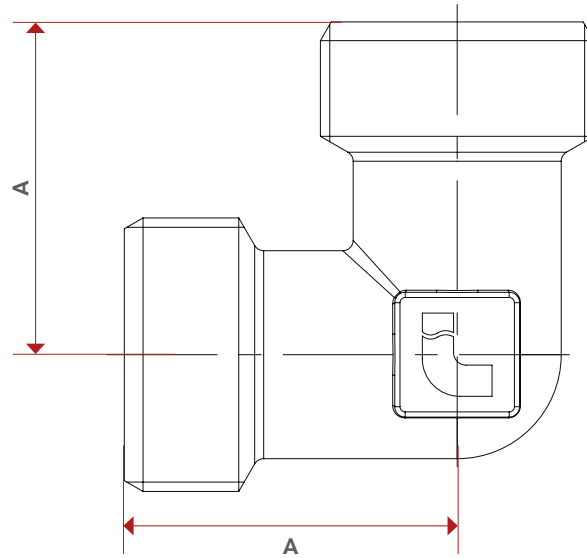


540



TEC



	1/2"x1/2"	1/2"x3/4"	3/4"x3/4"	1"x1"
A	26	30	32	34
Kg/cm ² bar	20	20	20	20
LBS - psi	290	290	290	290