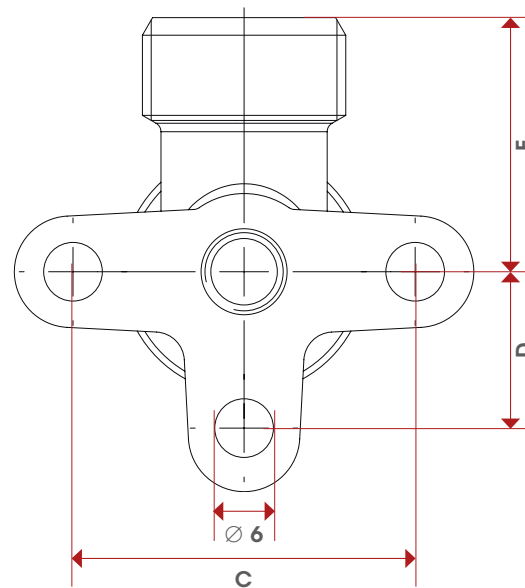
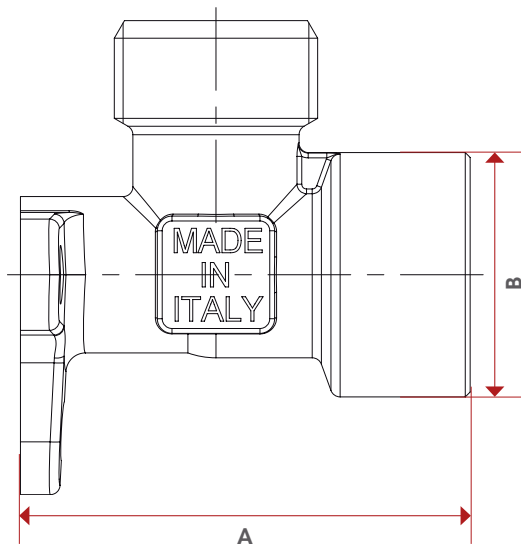


548



TEC



	1/2"	3/4"
A	46	54
B	25	31
C	35	40
D	16	19
E	26	32
Kg/cm ² bar	20	20
LBS - psi	290	290