



TECHNICAL CATALOGUE

MINI BALL VALVES





ITAP SpA, founded in Lumezzane (Brescia) in 1972, is currently one of the leading production companies in Italy of valves, fittings and distribution manifolds for plumbing and heating systems. Thanks to fully automated production processes, with 72 tooling machines and 51 assembly lines, we are able to produce 200,000 pieces per day. Our innate pursuit for innovation and observance of technical regulations is supported by the company certification ISO 9001: 2008. The company has always considered its focus on quality as the main tool to obtain significant business results: today ITAP SpA is proud to offer products bearing the approval of numerous international certifying bodies.



MINI BALL VALVES





MINI BALL VALVES

BALL VALVES

125

MINI BALL VALVES



SIZE	PRESSURE	CODE	PACKING
1/8" (DN 6)	15bar/217,5psi	1250018/N	20/220
1/4" (DN 8)	15bar/217,5psi	1250014/N	20/220
3/8" (DN 10)	15bar/217,5psi	1250038/N	20/220
1/2" (DN 15)	15bar/217,5psi	1250012/N	20/220
3/4" (DN 20)	15bar/217,5psi	1250034/N	15/150

TECHNICAL SPECIFICATIONS

Threads: female/female.

Lever handle in nylon.

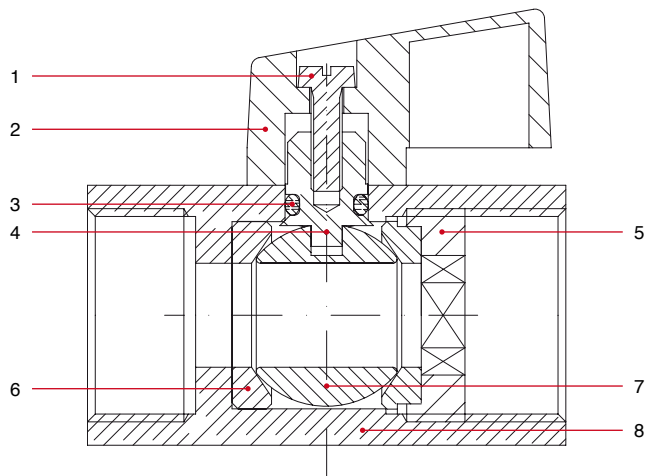
Minimum and maximum working temperatures: 0°C, 90°C.

Threads: ISO228

(equivalent to DIN EN ISO 228 and BS EN ISO 228).

Mention "N" in the code to order the black handle.

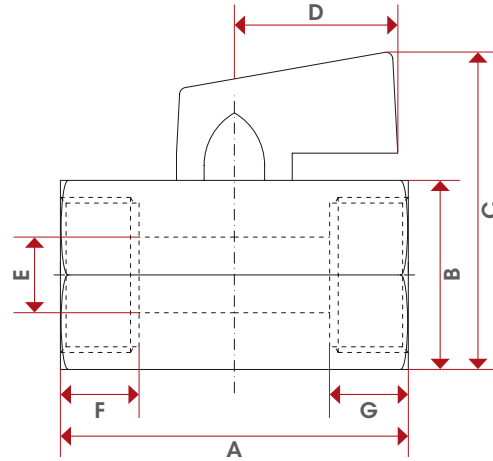
MATERIALS



POS.	DESCRIPTION	N.	MATERIAL
1	Screw	1	Chrome-plated steel Fe
2	Lever handle	1	Polymer
3	O-Ring	1	NBR
4	Stem	1	Brass CW614N
5	End adapter	1	Brass CW614N
6	Seat	2	P.T.F.E.
7	Ball	1	Chrome-plated brass CW614N
8	Body	1	Chrome-plated brass CW614N



OVERALL DIMENSIONS



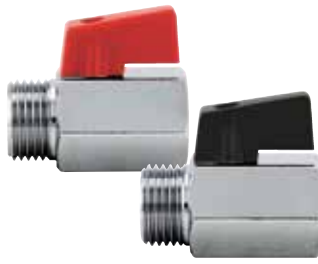
	1/8"	1/4"	3/8"	1/2"	3/4"
DN	6	8	10	15	20
A	40	40	40	46	54
B	21	21	21	25	30
C	38	38	38	42	47
D	22	22	22	22	22
E	7	8	8	10	12
F	10	10	10	10,5	14
G	11	10	10	10,5	12
Kg/cm ² bar	15	15	15	15	15
LBS - psi	217,5	217,5	217,5	217,5	217,5

CERTIFICATIONS



126

MINI BALL VALVES



SIZE	PRESSURE	CODE	PACKING
1/8" (DN 6)	15bar/217,5psi	1260018/N	20/320
1/4" (DN 8)	15bar/217,5psi	1260014/N	20/320
3/8" (DN 10)	15bar/217,5psi	1260038/N	20/320
1/2" (DN 15)	15bar/217,5psi	1260012/N	20/220
3/4" (DN 20)	15bar/217,5psi	1260034/N	15/150

TECHNICAL SPECIFICATIONS

Threads: male/female.

Lever handle in nylon.

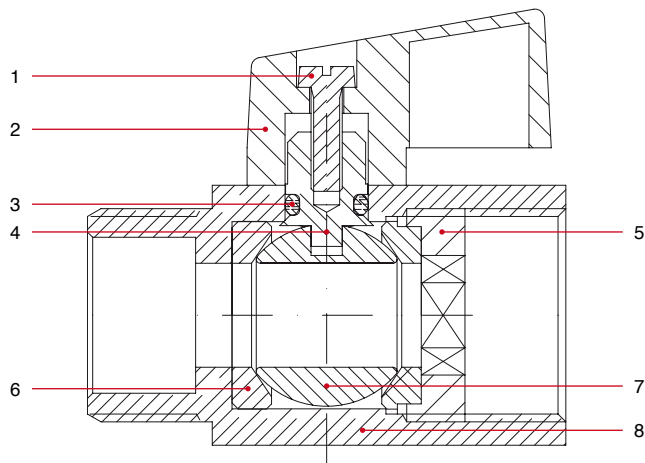
Minimum and maximum working temperatures: 0°C, 90°C.

Threads: ISO228

(equivalent to DIN EN ISO 228 and BS EN ISO 228).

Mention "N" in the code to order the black handle.

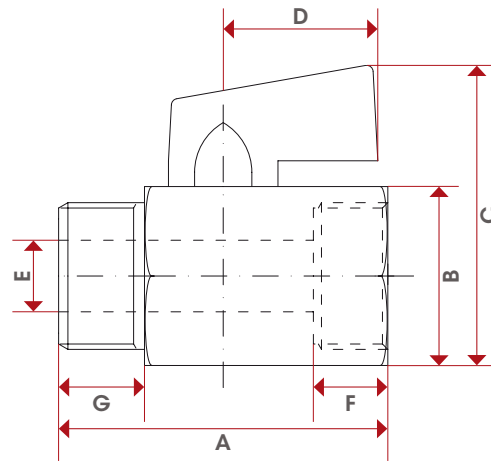
MATERIALS



POS.	DESCRIPTION	N.	MATERIAL
1	Screw	1	Chrome-plated steel Fe
2	Lever handle	1	Polymer
3	O-Ring	1	NBR
4	Stem	1	Brass CW614N
5	End adapter	1	Brass CW614N
6	Seat	2	P.T.F.E.
7	Ball	1	Chrome-plated brass CW614N
8	Body	1	Chrome-plated brass CW614N



OVERALL DIMENSIONS



	1/8"	1/4"	3/8"	1/2"	3/4"
DN	6	8	10	15	20
A	39	39	40	45	51
B	20	20	20	24	30
C	37	37	37	41,5	47
D	22	22	22	22	22
E	5	8	8	10	12
F	10	10,2	10	12	12,2
G	9	9,2	10,2	12	14
Kg/cm ² bar	15	15	15	15	15
LBS - psi	217,5	217,5	217,5	217,5	217,5

CERTIFICATIONS



126
126N

126





ITAP S.p.A.
Via Ruca 19
25065 Lumezzane
Brescia (ITALIA)
Tel 030 89270
Fax 030 8921990
www.itap.it - info@itap.it