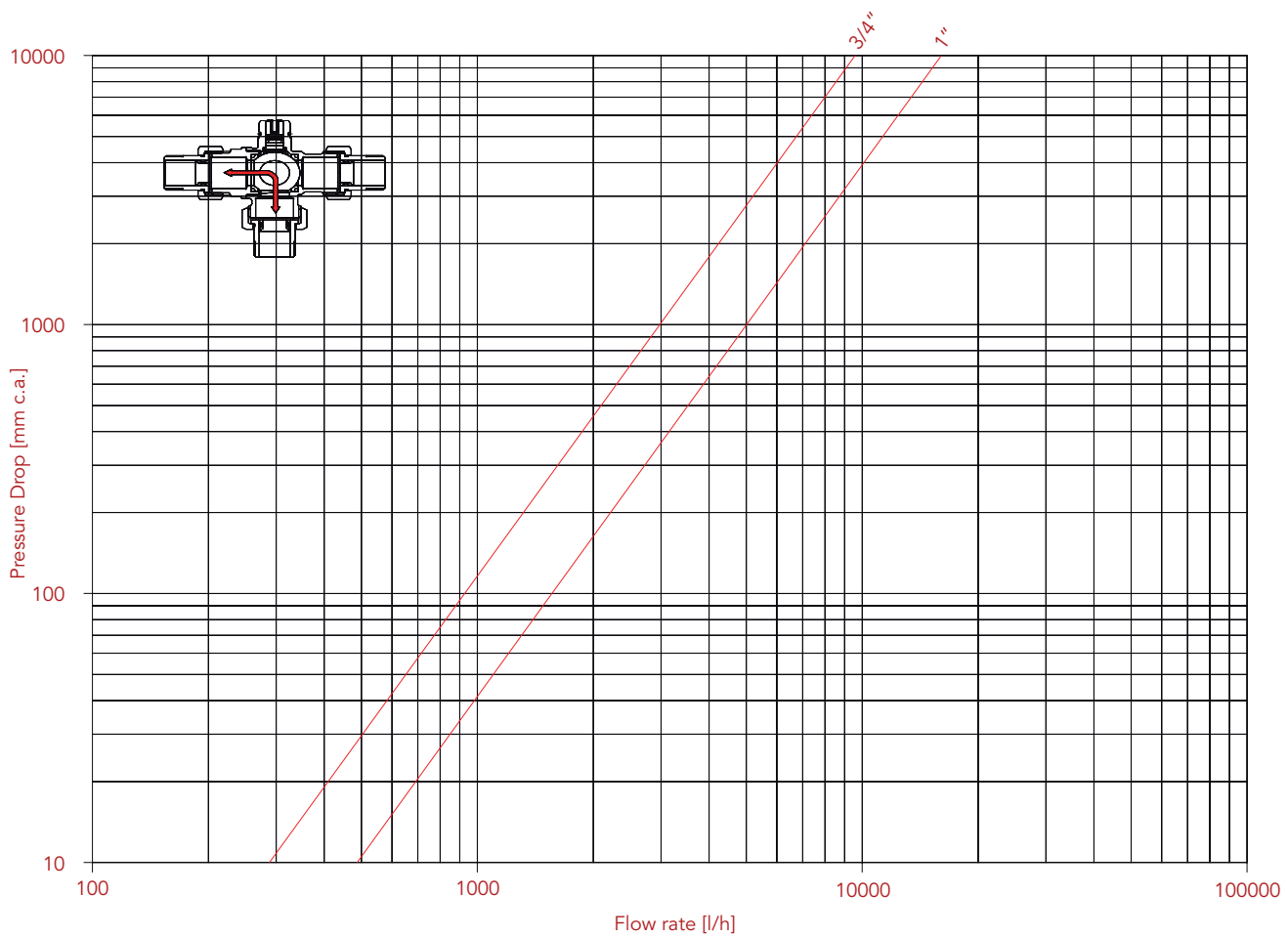


LOSS DIAGRAM WITH WATER

Art: 982



MISURE	3/4"	1"
Ø	20	25
Kv	9,44	16,07