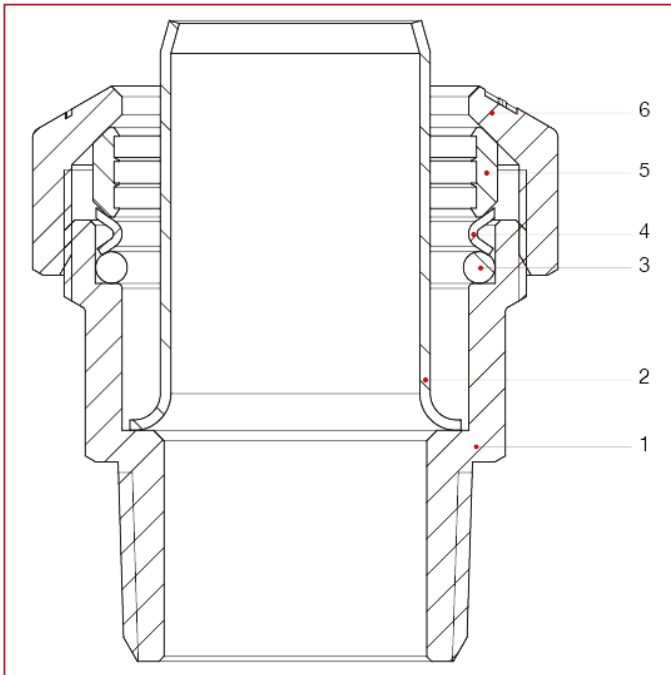




VX FITTINGS FOR POLYETHYLENE PIPES

015 Straight male connector

MATERIALS



POS.	DESCRIPTION	N.	MATERIAL
1	Body	1	Brass CW617N
2	Liner	1	Stainless steel AISI 304
3	O-ring	1	NBR
4	O-Ring pushing washer	1	Stainless steel AISI 304
5	Fastening ring	1	Brass CW617N
6	Tightening nut	1	Brass CW617N