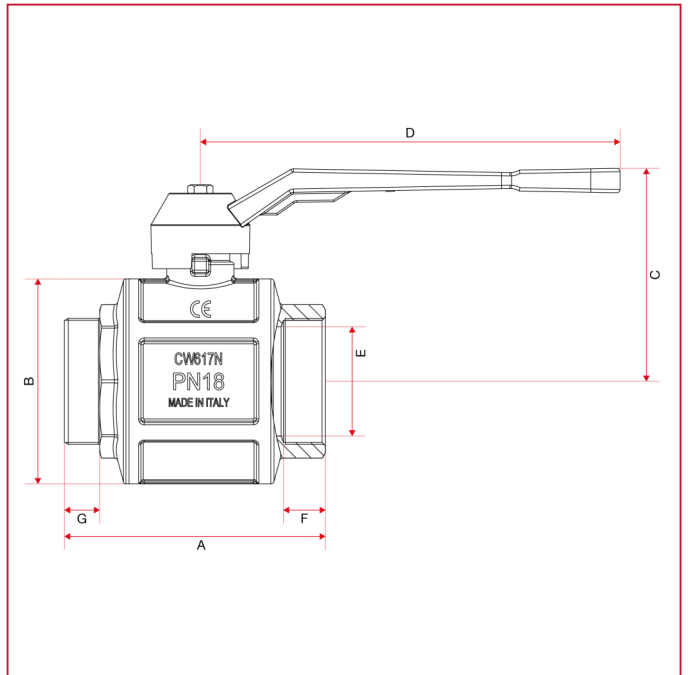
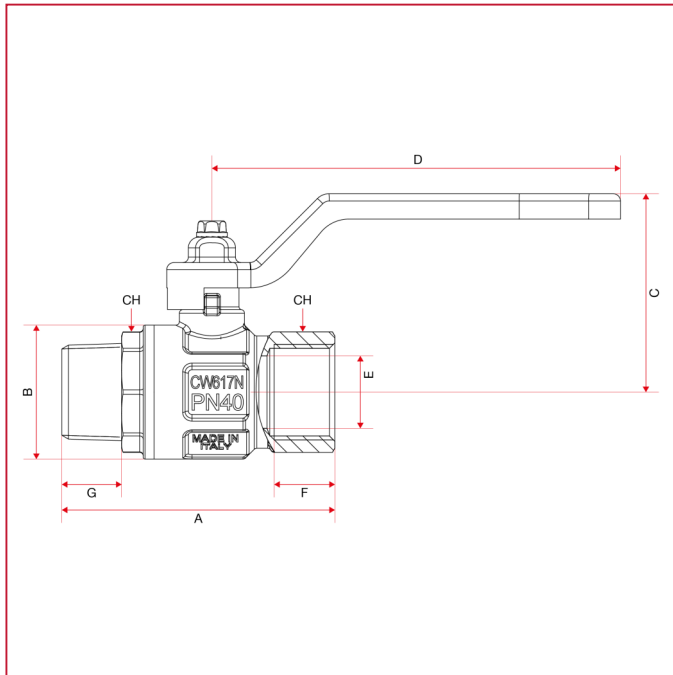




FULL FLOW BALL VALVES: MADRID

077 Madrid ball valve, full flow

OVERALL DIMENSIONS



| | 1/4" | 3/8" | 1/2" | 3/4" | 1" | 1"1/4 | 1"1/2 | 2" | 2"1/2 | 3" | 4" |
|-------------------|------|------|------|------|------|-------|-------|-------|--------|--------|--------|
| DN | 8 | 10 | 15 | 20 | 25 | 32 | 40 | 50 | 65 | 80 | 100 |
| A | 56,9 | 58,9 | 68 | 75,5 | 90,5 | 105 | 115,5 | 135,5 | 155,5 | 178 | 208 |
| B | 23,5 | 24 | 30,5 | 37 | 45,5 | 58 | 71 | 85 | 122 | 142 | 180 |
| C | 37,3 | 37,3 | 48,8 | 54,8 | 58,8 | 75 | 90,3 | 97 | 126,75 | 135,75 | 153,75 |
| D | 80 | 80 | 88,5 | 113 | 113 | 138 | 157,8 | 157,8 | 250 | 250 | 250 |
| E | 8 | 10 | 15 | 20 | 25 | 32 | 39 | 50 | 63 | 74 | 97 |
| F | 11 | 11,4 | 15 | 16,3 | 19,1 | 21,4 | 21,4 | 25,7 | 25 | 27,5 | 30 |
| G | 11 | 11,5 | 15 | 16,5 | 19 | 21,5 | 21,5 | 26 | 21 | 24 | 23 |
| CH | 18 | 21 | 25 | 31 | 38 | 47 | 54 | 66 | | | |
| Kg/cm2 bar | 50 | 50 | 50 | 40 | 40 | 30 | 30 | 25 | 18 | 16 | 14 |
| LBS - psi | 725 | 725 | 725 | 580 | 580 | 435 | 435 | 362,5 | 261 | 232 | 203 |