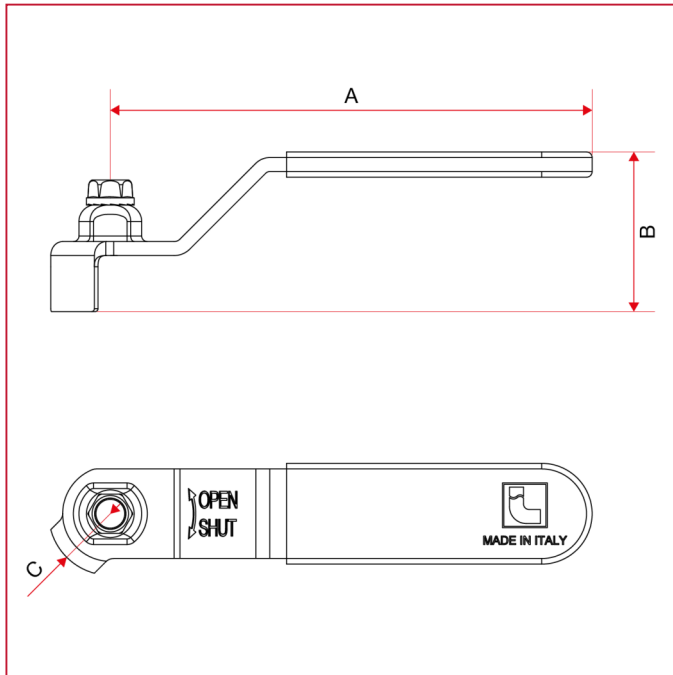




# HANDLES FOR GAS BALL VALVES

## 084G Flat lever handle for ball valves

### OVERALL DIMENSIONS



	1	2	3	4	5
A	85	92	113	137,5	157
B	27,5	30,5	33	41	47,5
C	22	25	27	32	39