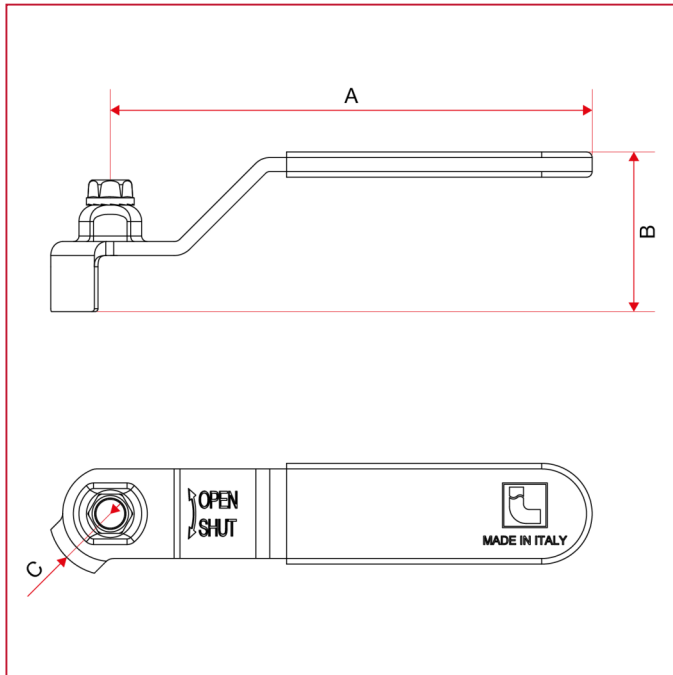




HANDLES FOR GAS BALL VALVES

084G Flat lever handle with screw for ball valves

OVERALL DIMENSIONS



| | 1 | 2 | 3 | 4 | 5 |
|---|------|------|-----|-------|------|
| A | 85 | 92 | 113 | 137,5 | 157 |
| B | 27,5 | 30,5 | 33 | 41 | 47,5 |
| C | 22 | 25 | 27 | 32 | 39 |