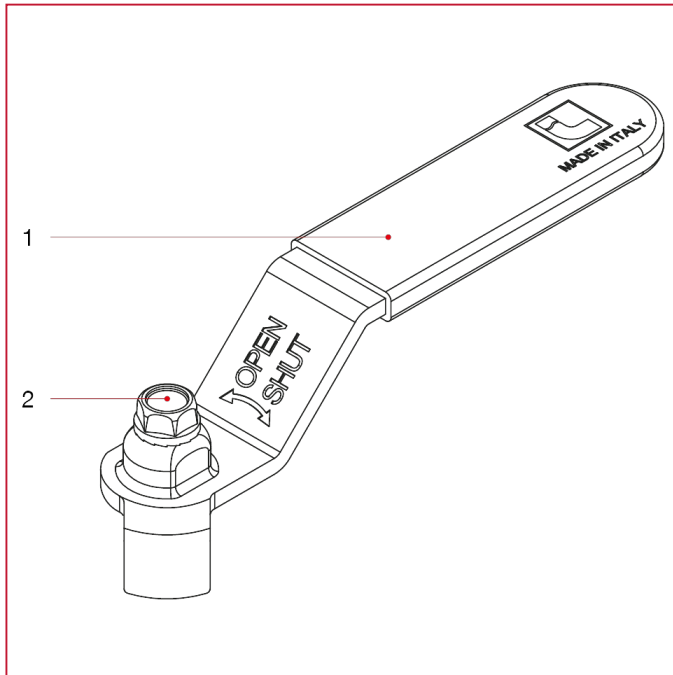




HANDLES FOR BALL VALVES

084V Flat lever handle with screw for ball valves and bibcocks

MATERIALS



POS.	DESCRIPTION	N.	MATERIAL
1	Flat lever handle	1	Zinc-plated and plastic coated steel P04
2	Screw	1	Zinc-plated steel C4C