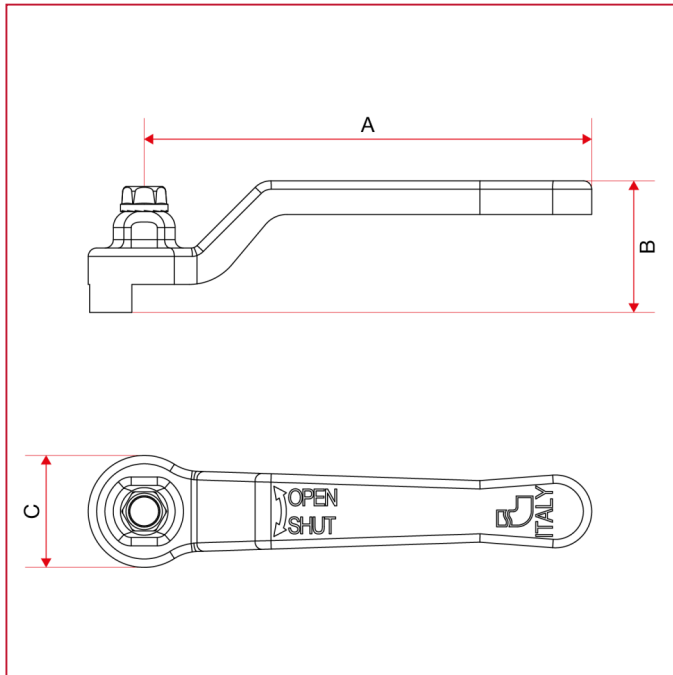




HANDLES FOR BALL VALVES

086B Lever handle with screw for ball valves and bibcocks

OVERALL DIMENSIONS



| | 1 | 2 | 3 | 4 | 5 |
|---|------|------|-----|-----|-------|
| A | 80 | 88,5 | 113 | 138 | 157,8 |
| B | 23,5 | 29,5 | 32 | 41 | 47 |
| C | 20 | 23 | 25 | 31 | 37 |