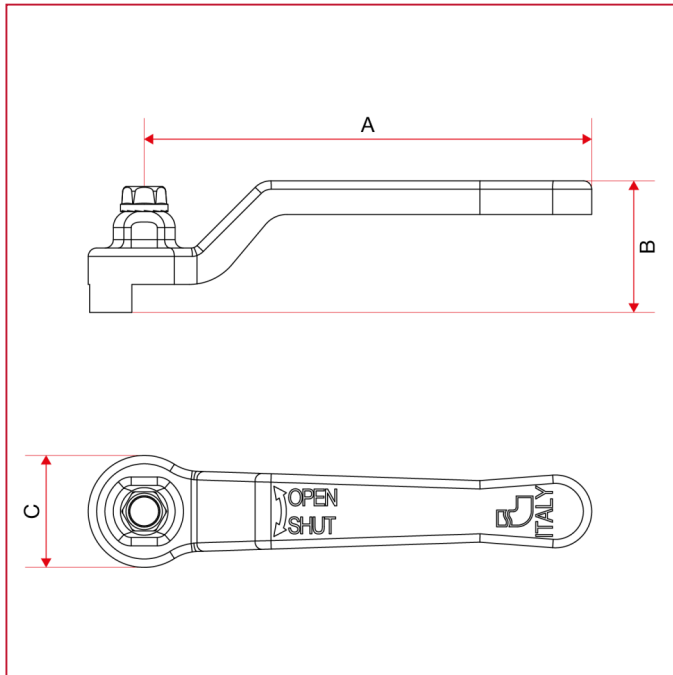




HANDLES FOR BALL VALVES

086 Lever handle with screw for ball valves and bibcocks

OVERALL DIMENSIONS



	1	2	3	4	5	6	7
A	80	88,5	113	138	157,8	197	250
B	23,5	29,5	32	41	47	54	59,5
C	20	23	25	31	37	50	59