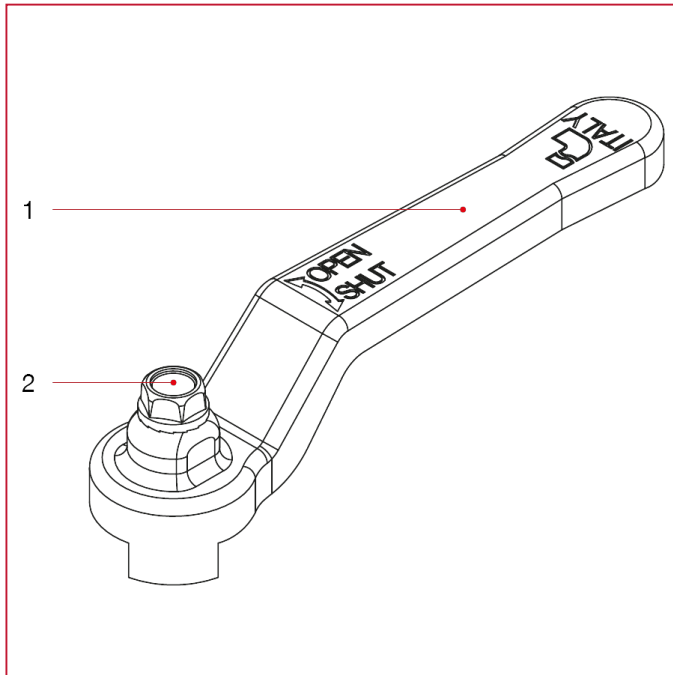




## HANDLES FOR BALL VALVES

### 086 Lever handle with screw for ball valves and bibcocks

#### MATERIALS



POS.	DESCRIPTION	N.	MATERIAL
1	Lever handle	1	Varnished steel P04
2	Screw	1	Zinc-plated steel C4C