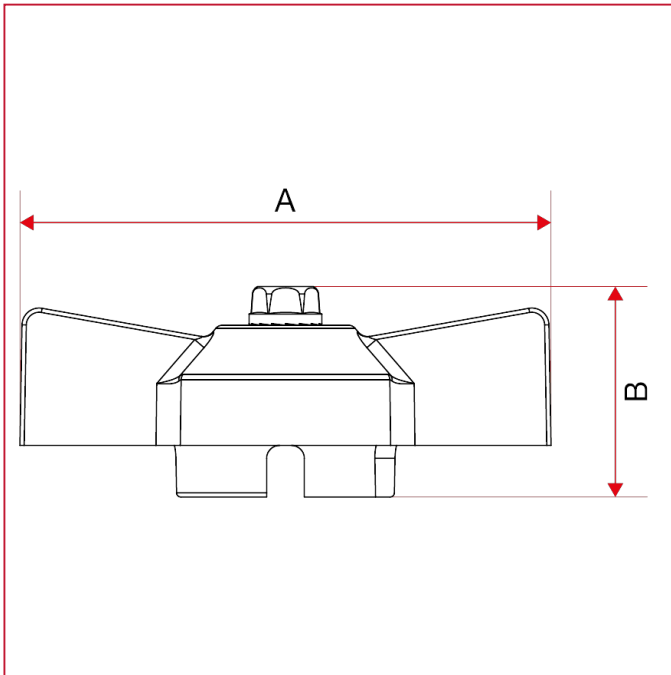




# HANDLES FOR BALL VALVES

## 087B T handle with screw for ball valves and bibcocks

### OVERALL DIMENSIONS



	1	2	3	4
A	47	54	62	70
B	23,5	24,8	24,5	30