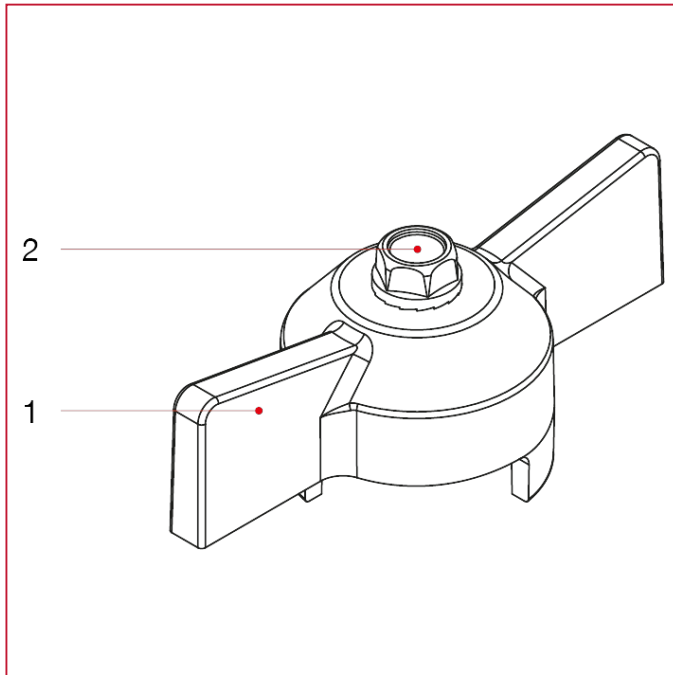




HANDLES FOR BALL VALVES

087B T handle with screw for ball valves and bibcocks

MATERIALS



POS.	DESCRIPTION	N.	MATERIAL
1	T handle	1	Varnished aluminium
2	Screw	1	Zinc-plated steel C4C