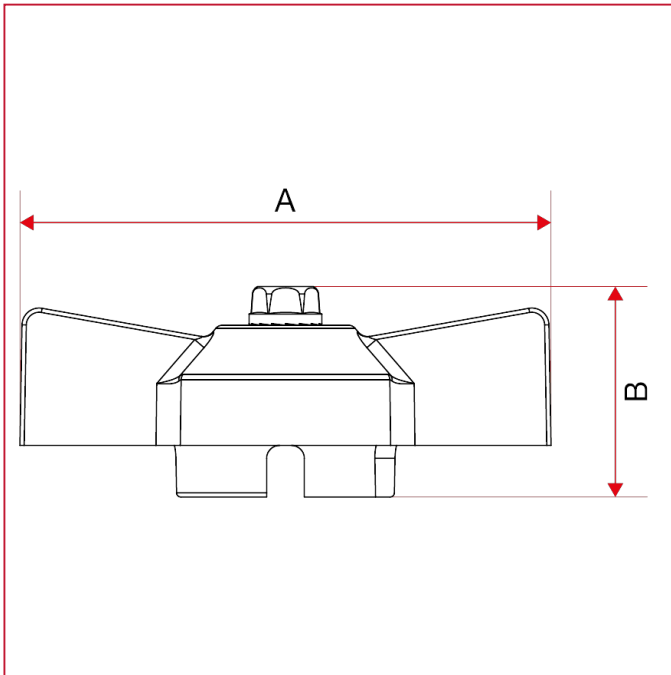




HANDLES FOR GAS BALL VALVES

087G T handle with screw for ball valves

OVERALL DIMENSIONS



	1	2	3
A	47	54	62
B	23,5	24,8	24,5