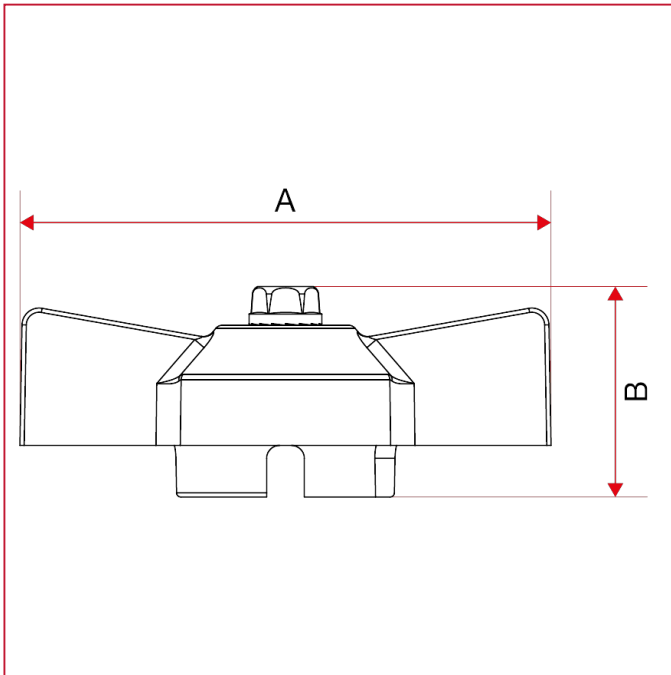




# HANDLES FOR BALL VALVES

**087V** T handle with screw for ball valves and bibcocks

## OVERALL DIMENSIONS



	1	2	3
A	47	54	62
B	23,5	24,8	24,5