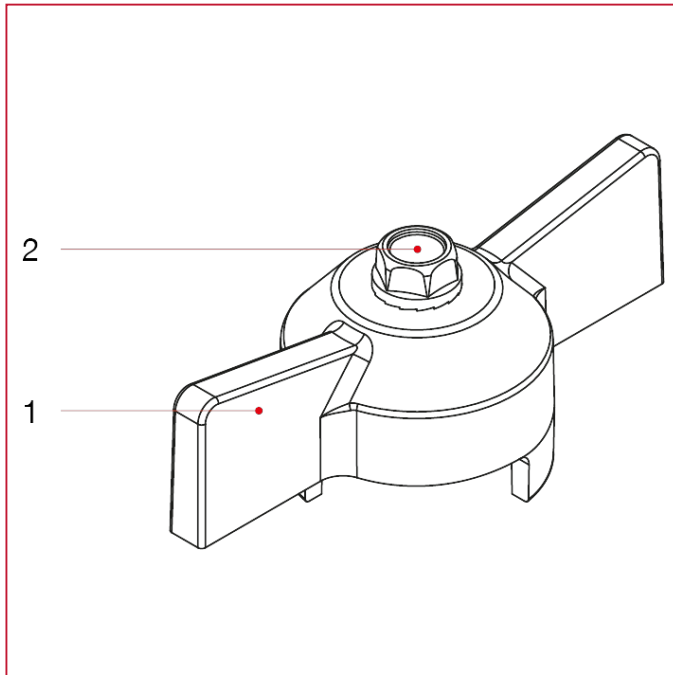




## HANDLES FOR BALL VALVES

### 087 T handle with screw for ball valves and bibcocks

#### MATERIALS



POS.	DESCRIPTION	N.	MATERIAL
1	T handle	1	Varnished aluminium
2	Screw	1	Zinc-plated steel C4C