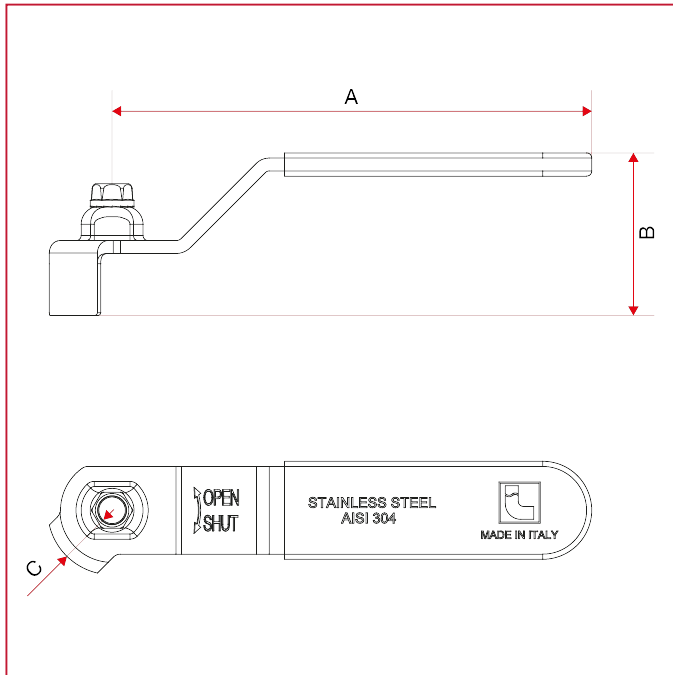




HANDLES FOR BALL VALVES

089B Stainless steel flat lever handle with screw for ball valves and bibcocks

OVERALL DIMENSIONS



	1	2	3	4	5
A	86	93	114	138,5	158,5
B	28,5	31,5	34	42	48,5
C	11	25	27	32	39