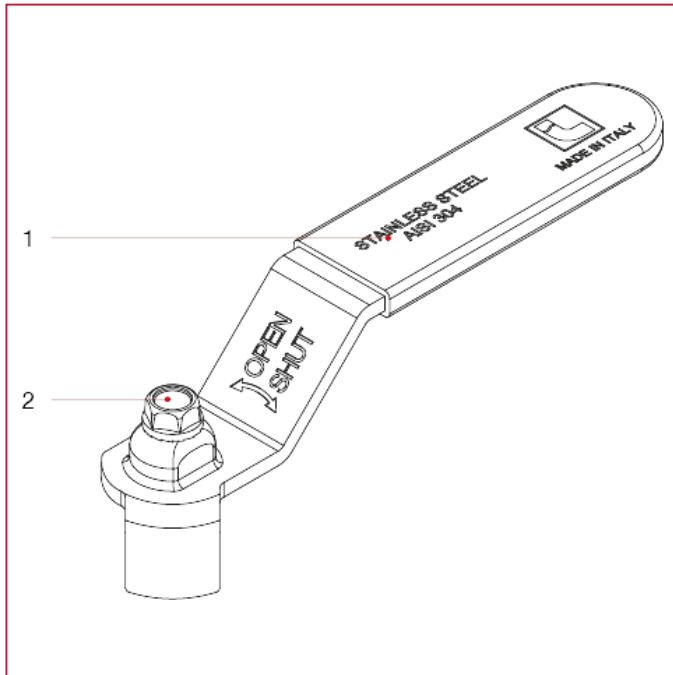




## HANDLES FOR BALL VALVES

### **089B** Stainless steel flat lever handle with screw for ball valves and bibcocks

#### MATERIALS



POS.	DESCRIPTION	N.	MATERIAL
1	Flat lever handle	1	Stainless steel AISI 304
2	Screw	1	Stainless steel AISI 430