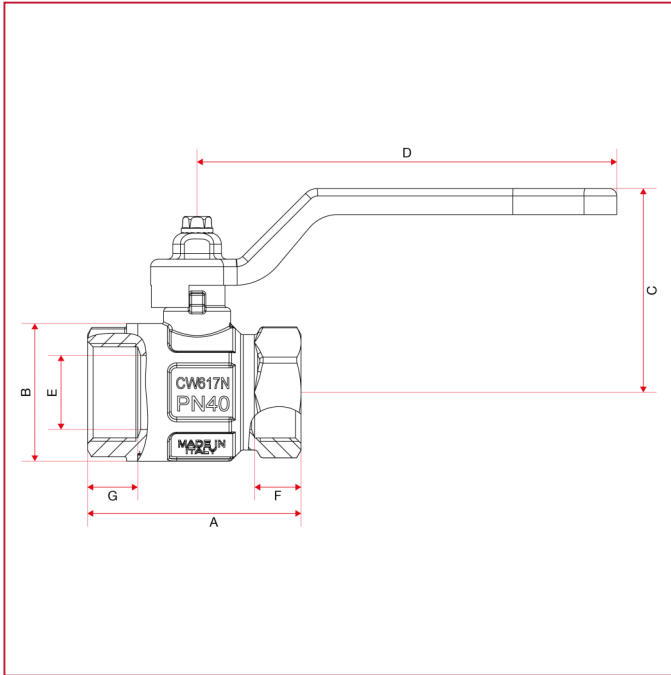




全通径球阀：IDEAL

090 Ideal 全通径球阀

总尺寸



| | 1/4" | 3/8" | 1/2" | 3/4" | 1" | 1"1/4" | 1"1/2" | 2" | 2"1/2" | 3" | 4" |
|------------------------------|------|------|------|------|------|--------|--------|-------|--------|-----|-----|
| DN | 8 | 10 | 15 | 20 | 25 | 32 | 40 | 50 | 65 | 80 | 100 |
| A | 44,4 | 44,4 | 50,5 | 57,5 | 70 | 80,5 | 94,5 | 112,5 | 134,5 | 157 | 190 |
| B | 23,5 | 24 | 30,5 | 37 | 45,5 | 57 | 70 | 84 | 109 | 131 | 164 |
| C | 37 | 37 | 41 | 55 | 59 | 75 | 81 | 96 | 115 | 133 | 149 |
| D | 80 | 80 | 80 | 113 | 113 | 138 | 138 | 157,8 | 197 | 250 | 250 |
| E | 10 | 10 | 15 | 20 | 25 | 32 | 40 | 50 | 65 | 80 | 100 |
| F | 10 | 10 | 12 | 12,5 | 15 | 17 | 18,5 | 22 | 24 | 26 | 30 |
| G | 10 | 10 | 12,5 | 13,5 | 15 | 16,5 | 17,5 | 20,5 | 24 | 26 | 30 |
| Kg/cm² bar | 50 | 50 | 50 | 40 | 40 | 30 | 30 | 25 | 18 | 16 | 14 |
| LBS - psi | 725 | 725 | 725 | 580 | 580 | 435 | 435 | 362,5 | 261 | 232 | 203 |