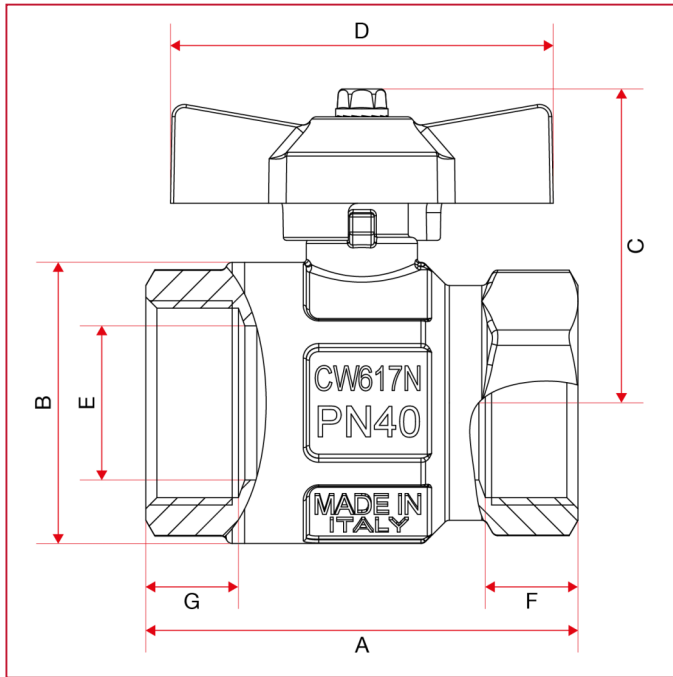




FULL FLOW BALL VALVES: IDEAL

092 Ideal ball valve, full flow

OVERALL DIMENSIONS



	1/4"	3/8"	1/2"	3/4"	1"	1"1/4"
DN	8	10	15	20	25	32
A	44,4	44,4	50,5	57,5	70	80,5
B	23,5	24	30,5	37	45,5	57
C	37	37	41	47	51	64
D	47	47	47	62	62	70
E	10	10	15	20	25	32
F	10	10	12	12,5	15	17
G	10	10	12,5	13,5	15	16,5
Kg/cm2 bar	50	50	50	40	40	30
LBS - psi	725	725	725	580	580	435