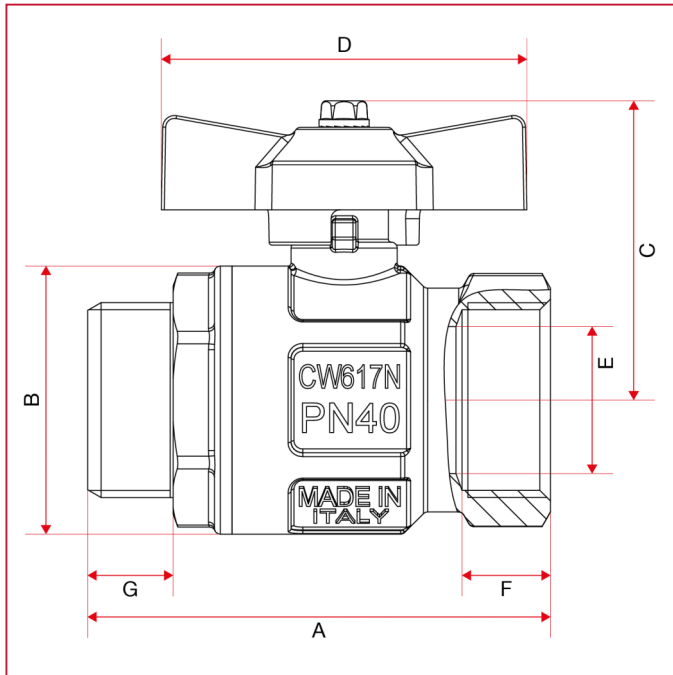




KUGELHÄHNE IDEAL, VOLLER DURCHGANG

093 Kugelhahn Ideal, voller Durchgang

GESAMTABMESSUNGEN



| | 1/4" | 3/8" | 1/2" | 3/4" | 1" | 1"1/4" |
|------------------------|------|------|------|------|------|--------|
| DN | 8 | 10 | 15 | 20 | 25 | 32 |
| A | 54 | 54 | 58,5 | 66,5 | 78,5 | 91,5 |
| B | 23,5 | 24 | 30,5 | 37 | 45,5 | 57 |
| C | 37 | 37 | 41 | 47 | 51 | 64 |
| D | 47 | 47 | 47 | 62 | 62 | 70 |
| E | 8 | 10 | 15 | 20 | 25 | 32 |
| F | 10 | 10 | 12 | 12,5 | 15 | 17 |
| G | 10,5 | 10,5 | 11,5 | 13,5 | 14,5 | 17 |
| Kg/cm ² bar | 50 | 50 | 50 | 40 | 40 | 30 |
| LBS - psi | 725 | 725 | 725 | 580 | 580 | 435 |