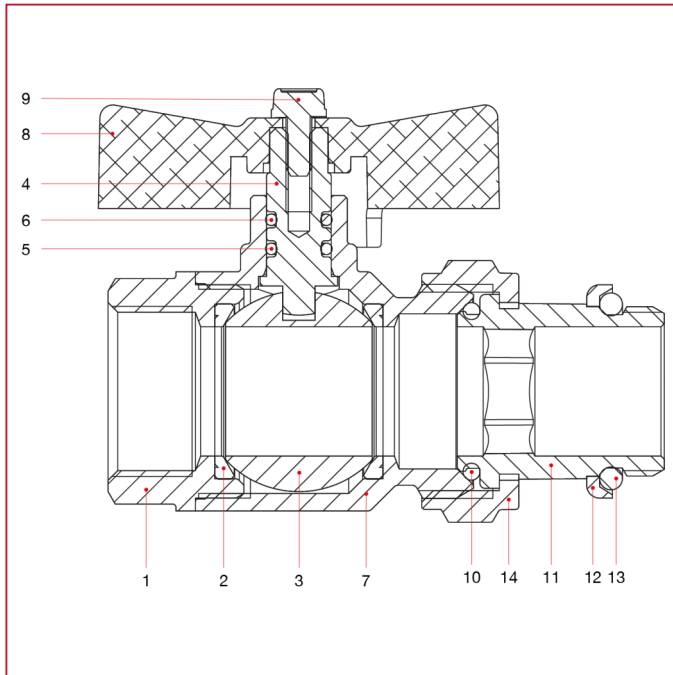




FULL FLOW BALL VALVES: IDEAL

098SB Ideal ball valve with o-ring, full flow for manifolds

MATERIALS

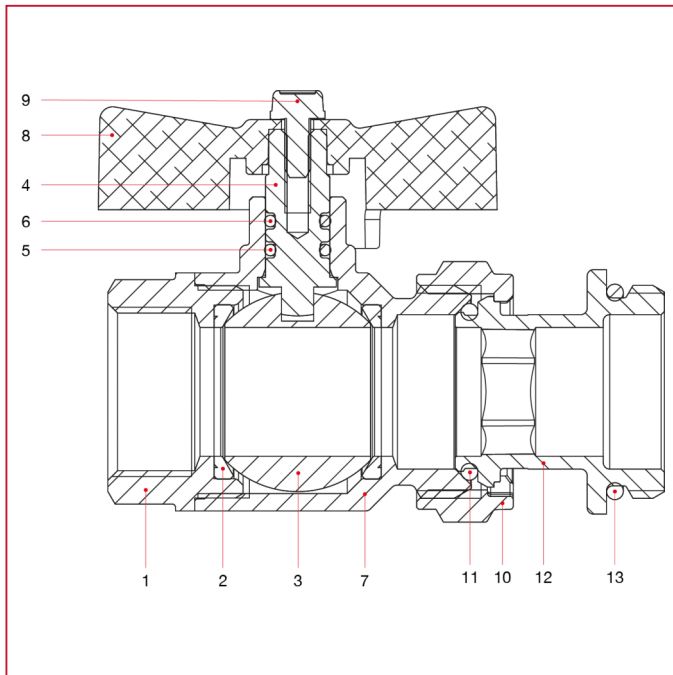


POS.	DESCRIPTION	N.	MATERIAL
1	Female end adapter	1	Nickel-plated brass CW617N
2	Seat	2	P.T.F.E.
3	Ball	1	Chrome-plated brass CW617N
4	Stem	1	Brass CW614N
5	O-ring	1	NBR
6	O-ring	1	Viton®
7	Body	1	Nickel-plated brass CW617N
8	T handle	1	Varnished aluminium
9	Screw	1	Zinc-plated steel C4C
10	O-ring	1	NBR
11	Union	1	Nickel-plated brass CW617N
12	Ring	1	Steel
13	O-ring	1	NBR
14	Nut	1	Nickel-plated brass CW617N



FULL FLOW BALL VALVES: IDEAL

MATERIALS 3/4"x1"



POS.	DESCRIPTION	N.	MATERIAL
1	Female end adapter	1	Nickel-plated brass CW617N
2	Seat	2	P.T.F.E.
3	Ball	1	Chrome-plated brass CW617N
4	Stem	1	Brass CW614N
5	O-ring	1	NBR
6	O-ring	1	Viton®
7	Body	1	Nickel-plated brass CW617N
8	T handle	1	Varnished aluminium
9	Screw	1	Zinc-plated steel C4C
10	Nut	1	Nickel-plated brass CW617N
11	O-ring	1	NBR
12	Union	1	Nickel-plated brass CW617N
13	O-ring	1	EPDM