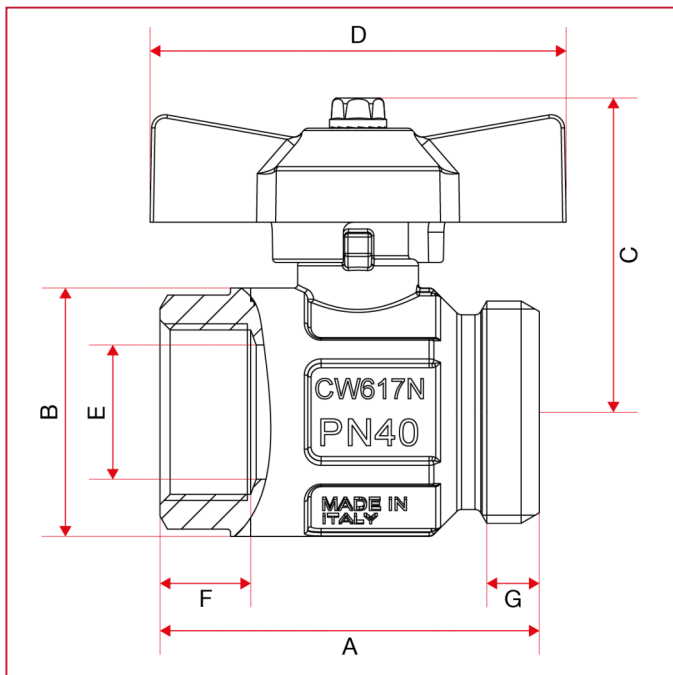




FULL FLOW BALL VALVES: IDEAL

098SDCB Ideal ball valve without union, full flow for manifolds

OVERALL DIMENSIONS



	1/2"	3/4"	1"	1"1/4
DN	15	20	25	32
A	48	56,5	64,75	76
B	30,5	37	45,5	57
C	41,3	47	50,8	64
D	47	62	62	70
E	15	20	25	32
F	12,5	13,5	15	16,5
G	7	8	10,5	14
Kg/cm ² bar	50	40	40	30
LBS - psi	725	580	580	435