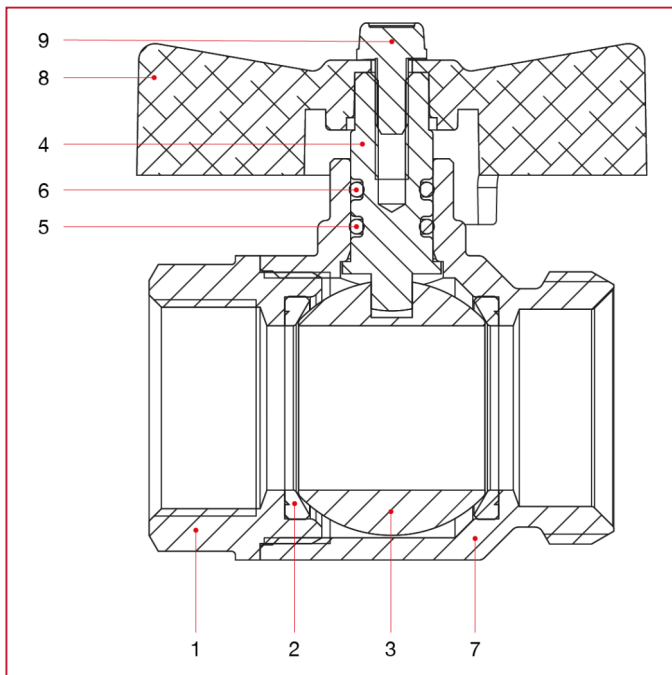




# FULL FLOW BALL VALVES: IDEAL

## 098SDCB Ideal ball valve without union, full flow for manifolds

### MATERIALS



POS.	DESCRIPTION	N.	MATERIAL
1	Female end adapter	1	Nickel-plated brass CW617N
2	Seat	2	P.T.F.E.
3	Ball	1	Chrome-plated brass CW617N
4	Body	1	Nickel-plated brass CW617N
5	Stem	1	Brass CW614N
6	O-ring	1	NBR
7	O-ring	1	Viton®
8	T handle	1	Varnished aluminium
9	Screw	1	Zinc-plated steel C4C