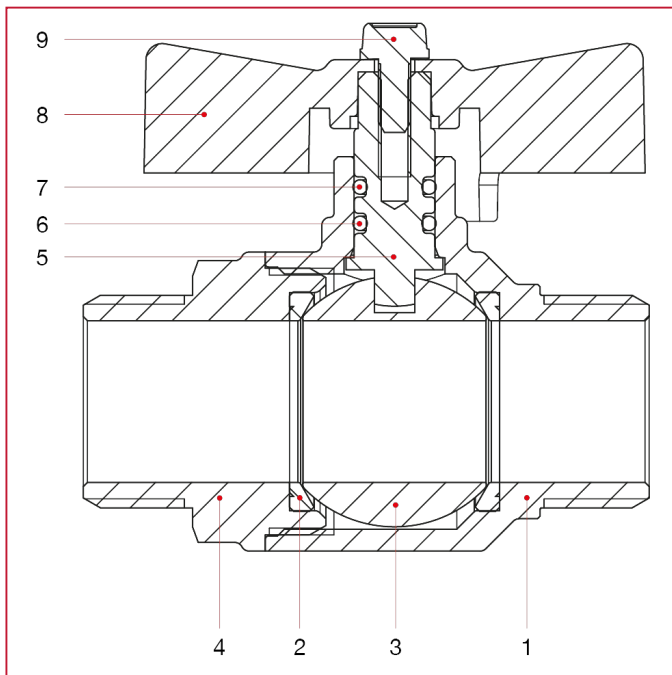




FULL FLOW BALL VALVES: IDEAL

099F Ideal ball valve, full flow male/male thread

MATERIALS



| POS. | DESCRIPTION | N. | MATERIAL |
|------|------------------|----|----------------------------|
| 1 | Body | 1 | Nickel-plated brass CW617N |
| 2 | Seat | 2 | P.T.F.E. |
| 3 | Ball | 1 | Chrome-plated brass CW617N |
| 4 | Male end adapter | 1 | Nickel-plated brass CW617N |
| 5 | Stem | 1 | Brass CW614N |
| 6 | O-ring | 1 | NBR |
| 7 | O-ring | 1 | Viton® |
| 8 | T handle | 1 | Varnished aluminium |
| 9 | Screw | 1 | Zinc-plated steel C4C |