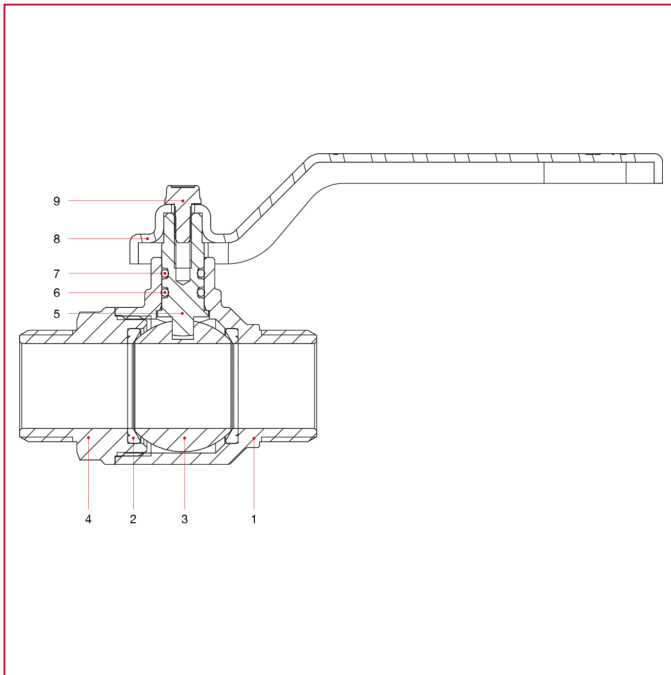




FULL FLOW BALL VALVES: IDEAL

099 Ideal ball valve, full flow male/male thread

MATERIALS



POS.	DESCRIPTION	N.	MATERIAL
1	Body	1	Nickel-plated brass CW617N
2	Seat	2	P.T.F.E.
3	Ball	1	Chrome-plated brass CW617N
4	Male end adapter	1	Nickel-plated brass CW617N
5	Stem	1	Brass CW614N
6	O-ring	1	NBR
7	O-ring	1	Viton®
8	Lever handle	1	Varnished steel P04
9	Screw	1	Zinc-plated steel C4C