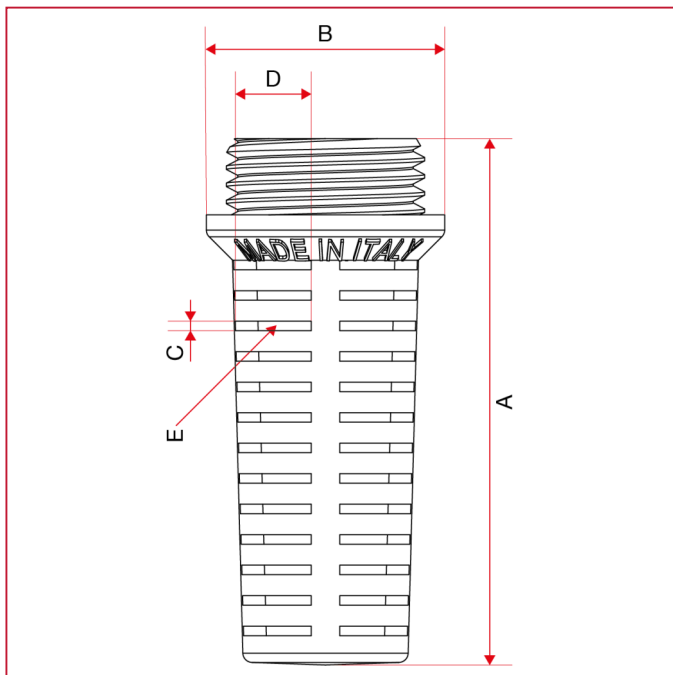




## STRAINERS FOR CHECK AND FOOT VALVES

### 107 Strainer for Europa<sup>®</sup>, York<sup>®</sup>, Block<sup>®</sup>, Roma<sup>®</sup> check valve

#### OVERALL DIMENSIONS



	1/2"	3/4"	1"	1"1/4	1"1/2	2"
A	55	55,3	59	69,5	74	87,3
B	25	32	39	47	54	66
C	1	1	1	1	1	1
D	8,15	11,37	14,74	20,78	23,94	30,99
E	52	52	52	56	64	76