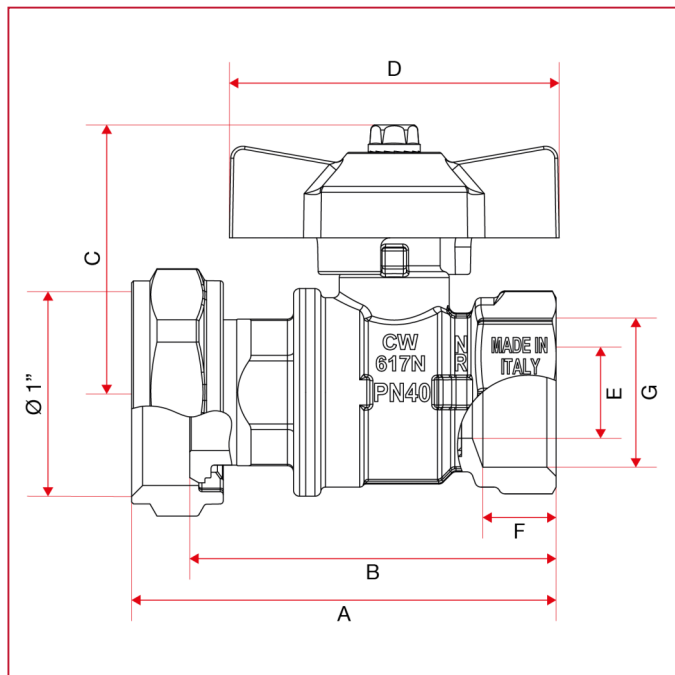




REDUCED FLOW BALL VALVES: ORIENT

113DFB Orient ball valve with female swivel, reduced flow

OVERALL DIMENSIONS



	3/4" x 1"	1" x 1"
DN	20	25
A	69,5	74,5
B	60	65
C	43,8	46,8
D	54	54
E	15	20
F	12	13
G	3/4"	1"
Kg/cm ² bar	40	40
LBS - psi	580	580