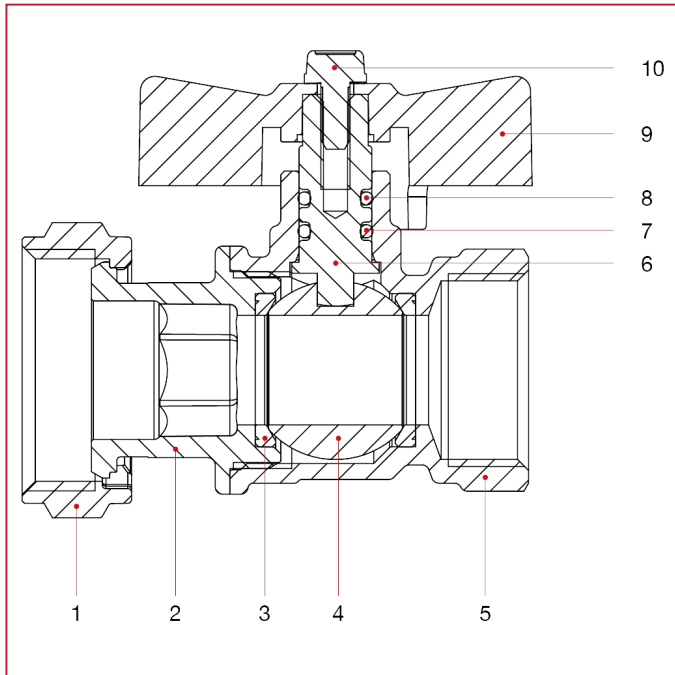




REDUCED FLOW BALL VALVES: ORIENT

113DFK Orient ball valve kit with female swivel, reduced flow

MATERIALS



POS.	DESCRIPTION	N.	MATERIAL
1	Nut	1	Nickel-plated brass CW617N
2	Female end adapter	1	Nickel-plated brass CW617N
3	Seal	2	P.T.F.E.
4	Ball	1	Chrome-plated brass CW617N
5	Body	1	Nickel-plated brass CW617N
6	Stem	1	Brass CW614N
7	O-ring	1	NBR
8	O-ring	1	Viton®
9	Screw	1	Zinc-plated steel C4C
10	T handle	1	Varnished aluminium