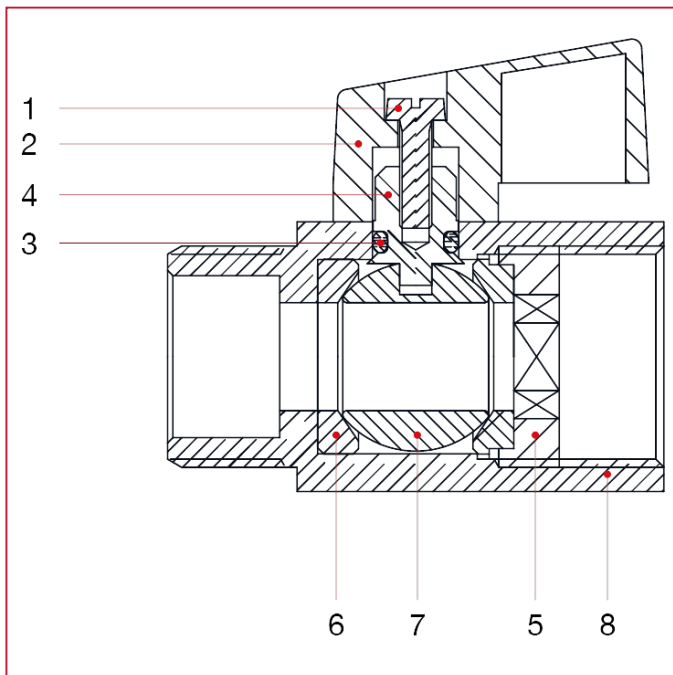




MINI BALL VALVES

126 Mini ball valves

MATERIALS



| POS. | DESCRIPTION | N. | MATERIAL |
|------|--------------|----|----------------------------|
| 1 | Screw | 1 | Zinc-plated steel Fe |
| 2 | Lever handle | 1 | Polymer |
| 3 | Washer | 1 | NBR |
| 4 | Stem | 1 | Brass CW617N |
| 5 | End adapter | 1 | Brass CW617N |
| 6 | Seat | 2 | P.T.F.E. |
| 7 | Ball | 1 | Chrome-plated brass CW617N |
| 8 | Body | 1 | Chrome-plated brass CW617N |