

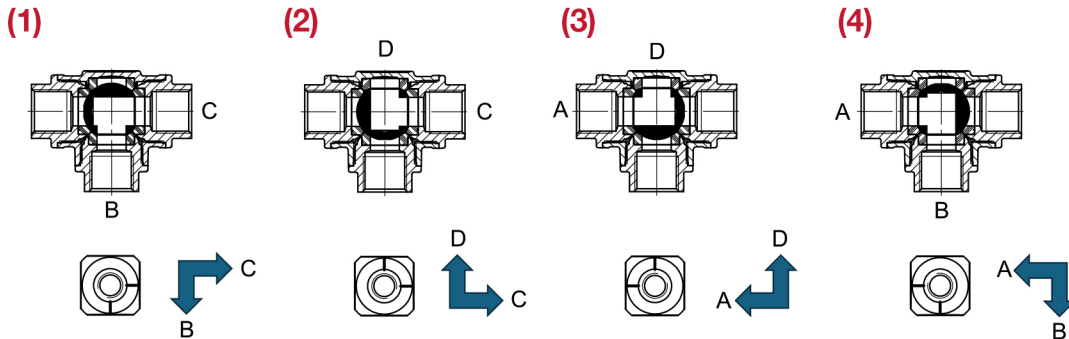


# 3-WAY BALL VALVE

## 128 3-way ball valve

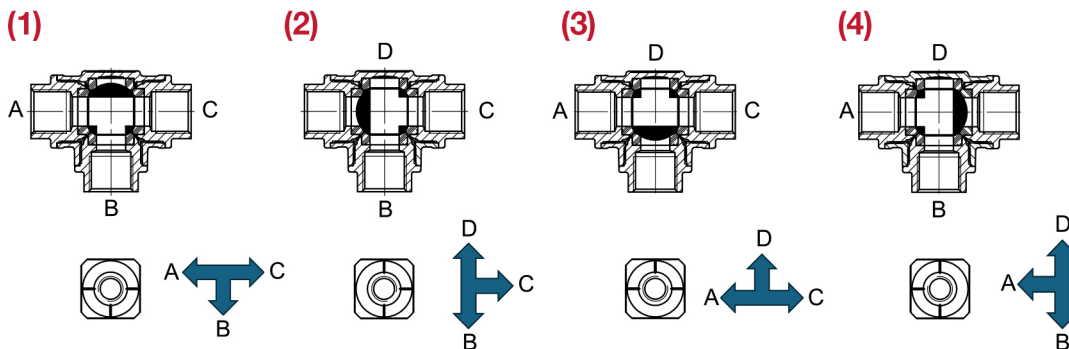
### INSTALLATION

L valve operation: with the handle disassembled, an L-shaped mark is visible on the stem, which indicates the running direction of the ball's holes, allowing the following combinations with 90° rotation:



- 1 - The flow go from B to C (or vice versa)
- 2 - The flow is stopped
- 3 - The flow is stopped
- 4 - The flow go from A to B (or vice versa)

T valve operation: with the handle disassembled, a T-shaped mark is visible on the stem, which indicates the running direction of the ball's holes, allowing the following combinations with 90° rotation:



- 1 - The flow go in all directions (A-B-C)
- 2 - The flow go only from B to C (or vice versa)
- 3 - The flow go only from A to C (or vice versa)
- 4 - The flow go only from A to B (or vice versa)