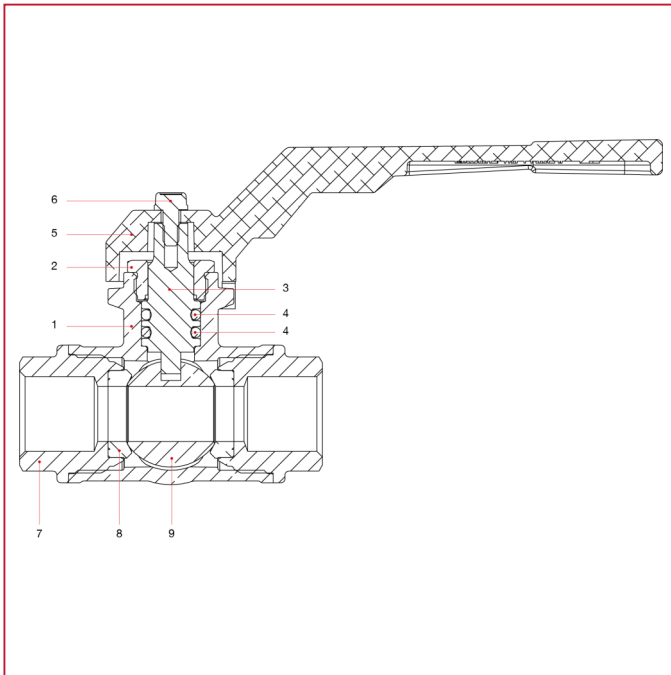




3-WAY BALL VALVE

128 3-way ball valve

MATERIALS



POS.	DESCRIPTION	N.	MATERIAL
1	Body	1	Nickel-plated brass CW617N
2	Washer	1	Brass CW617N
3	Stem	1	Brass CW614N
4	O-ring	2	FKM
5	Lever handel	1	Varnished aluminium
6	Screw	1	Zinc-plated steel C4C
7	Female end adapter	3	Nickel-plated brass CW617N
8	Seat	4	P.T.F.E.
9	Ball	1	Chrome-plated brass CW617N