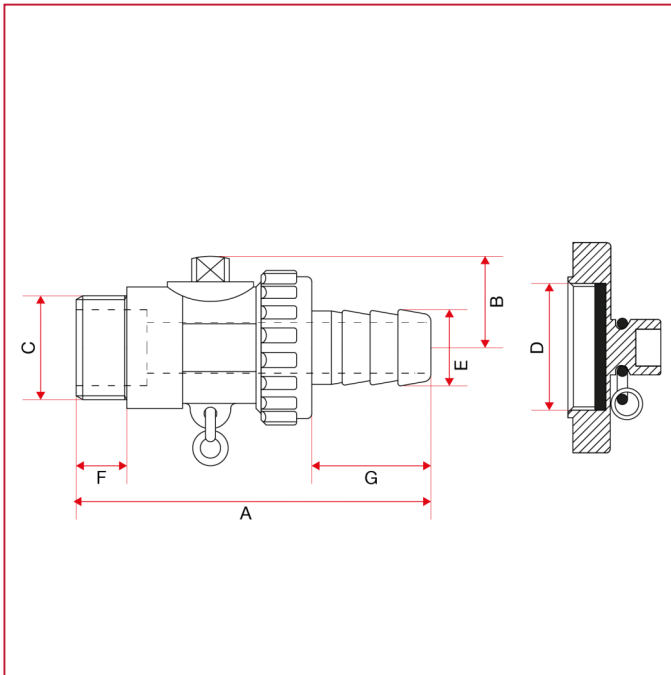




BIBCOCKS

139 Drain ball valve with brass hose connection

OVERALL DIMENSIONS



	3/8"	1/2"	3/4"
DN	10	15	20
A	71,5	71,5	86
B	18	18	22
C	3/8"	1/2"	3/4"
D	3/4"	3/4"	1"
E	15	15	20,5
F	12	14	14
G	23	23	23
Kg/cm ² bar	12	12	12
LBS - psi	174	174	174