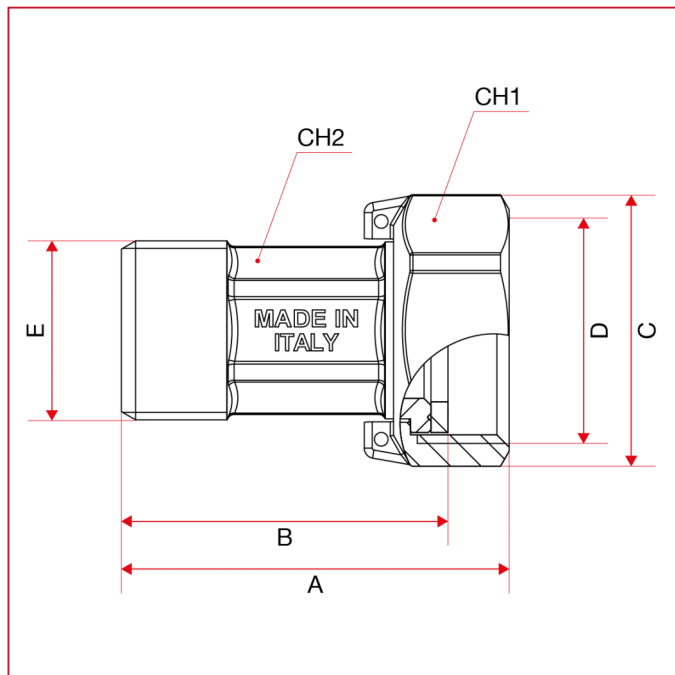




RACORES MECÁNICOS Y ACCESORIOS

154 Racor para contadores de agua

Dimensiones totales



	3/4"x1/2"	1"x3/4"	1"1/4x1"	1"1/2x1"1/4	2"x1"1/2	2"1/2x2"
DN	15	20	25	32	40	50
A	45,5	57	60,5	71	80,5	92,5
B	39	48	49,5	59	69	79
C	32	40	52	60	70	89
D	G 3/4"	G 1"	G 1"1/4	G 1"1/2	G 2"	G 2"1/2
E	G 1/2"	G 3/4"	G 1"	G 1"1/4	G 1"1/2	G 2"
CH1	hex. 29	hex. 36	hex. 46	hex. 53	oct. 66	oct. 84
CH2	hex. 17	hex. 23	hex. 30	hex. 36	oct. 44	oct. 55
Kg/cm2 bar	20	20	20	20	20	20
LBS - psi	290	290	290	290	290	290