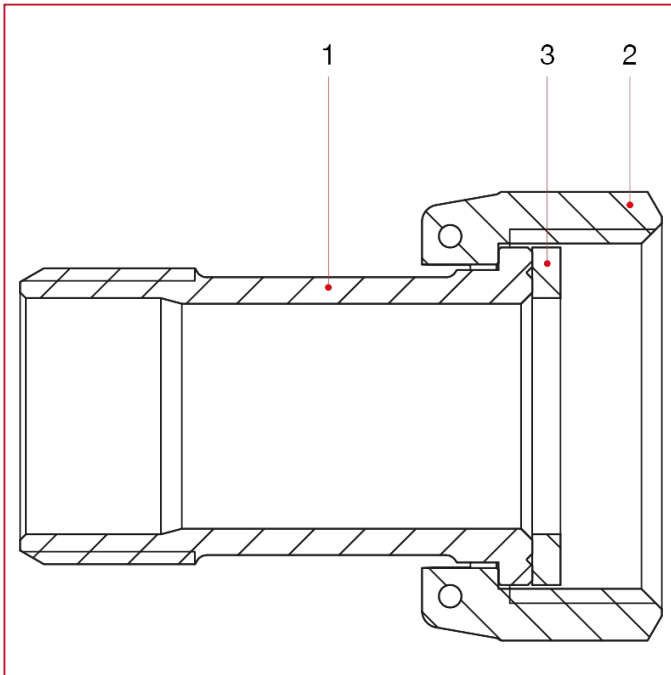




MECHANICAL FITTINGS AND ACCESSORIES

154 Connector for water meters

MATERIALS



POS.	DESCRIPTION	N.	MATERIAL
1	Union	1	Brass CW617N
2	Nut	1	Brass CW617N
3	Washer	1	EPDM