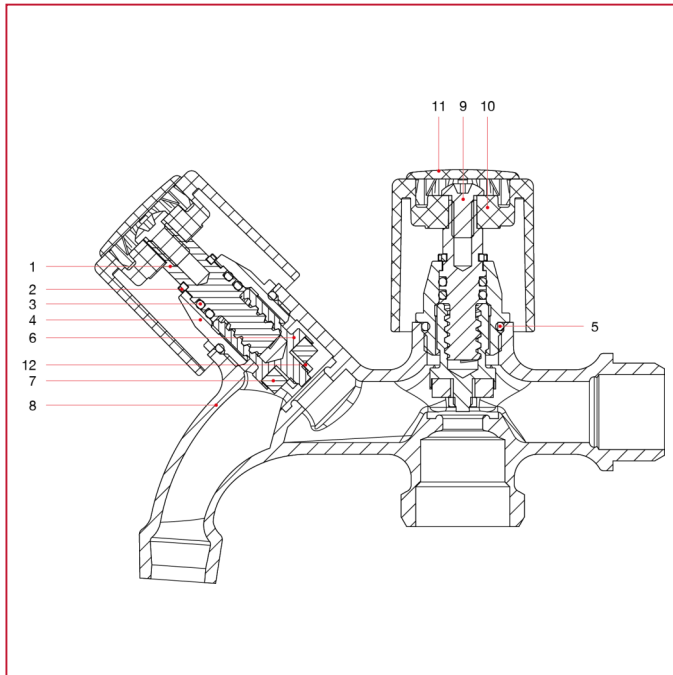




# WASHING MACHINE VALVES

## 220 Washing machine valve

### MATERIALS



POS.	DESCRIPTION	N.	MATERIAL
1	Pin	2	Brass CW617N
2	Seeger	2	CW452K
3	O-ring	4	EPDM
4	Cap	2	Brass CW617N
5	O-ring	2	EPDM
6	Screw	2	Brass CW617N
7	Washer	2	EPDM
8	Body	1	Chrome-plated brass CB753S
9	Screw	2	Zinc-plated steel C4C
10	Handle	2	Chrome-plated ABS
11	Clip	2	Varnished ABS
12	Nut	1	Brass CW614N