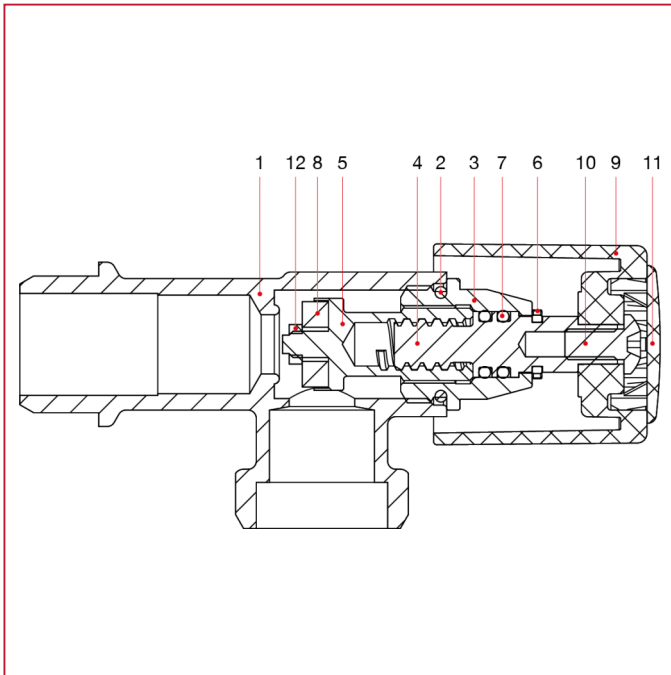




WASHING MACHINE VALVES

225 Horizontal washing machine valve, heavy pattern

MATERIALS



POS.	DESCRIPTION	N.	MATERIAL
1	Body	1	Chrome-plated brass CW617N
2	O-ring	1	EPDM
3	Cap	1	Brass CW617N
4	Pin	1	Brass CW617N
5	Screw	1	Brass CW617N
6	Seeger	1	CW452K
7	O-ring	2	EPDM
8	Washer	1	EPDM
9	Handle	1	Chrome-plated ABS
10	Screw	1	Zinc-plated steel C4C
11	Clip	1	Varnished ABS