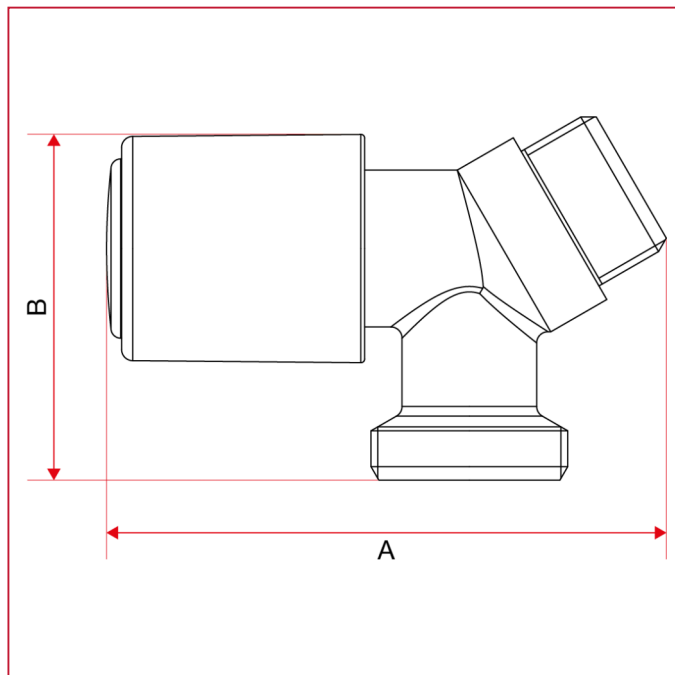




## 228 Inclined washing machine valve

### OVERALL DIMENSIONS



	1/2"
DN	15
A	74,8
B	46,3
Kg/cm <sup>2</sup> bar	16
LBS - psi	232