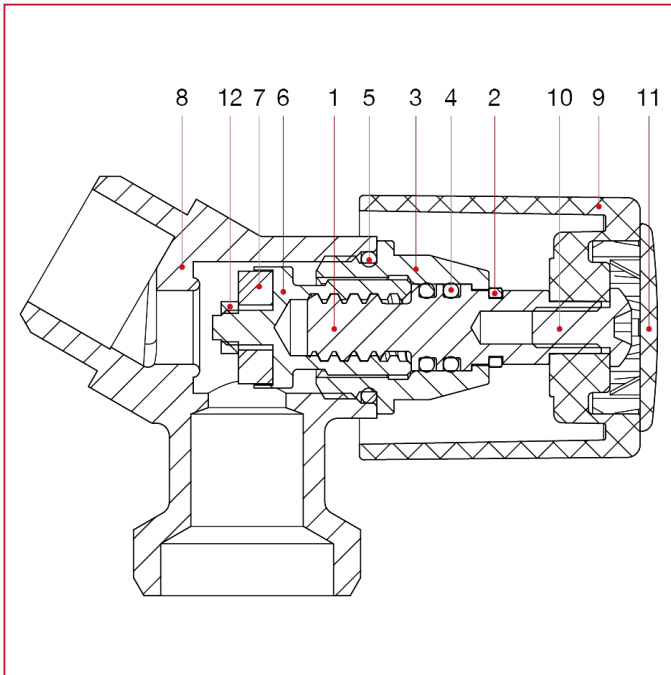




# WASHING MACHINE VALVES

## 228 Inclined washing machine valve

### MATERIALS



POS.	DESCRIPTION	N.	MATERIAL
1	Pin	1	Brass CW617N
2	Seeger	1	CW452K
3	Cap	1	Brass CW617N
4	O-ring	2	EPDM
5	O-ring	1	EPDM
6	Screw	1	Brass CW617N
7	Washer	1	EPDM
8	Body	1	Chrome-plated brass CW617N
9	Handle	1	Chrome-plated ABS
10	Screw	1	Zinc-plated steel C4C
11	Clip	1	Varnished ABS
12	Nut	1	Brass CW614N