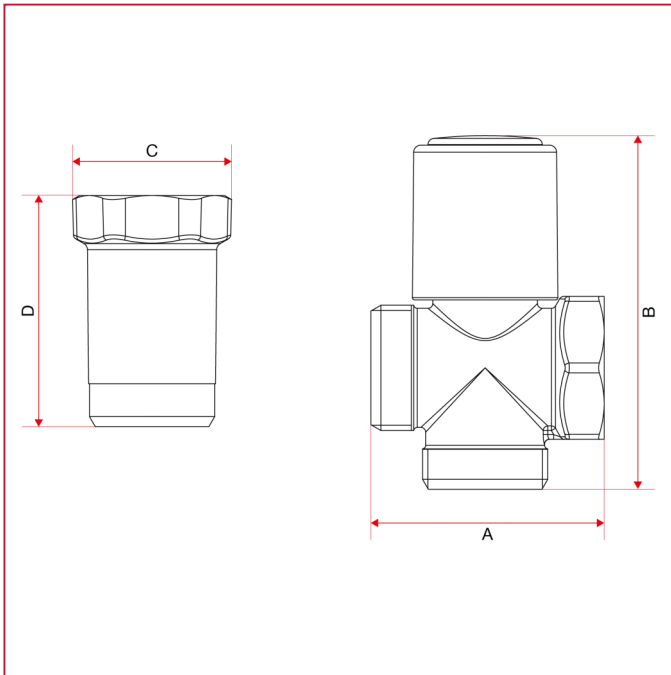




WASHING MACHINE VALVES

230 One-piece spacer for faucets

OVERALL DIMENSIONS



	3/4"
DN	20
A	49
B	74,3
C	33
D	48,5
Kg/cm ² bar	16
LBS - psi	232