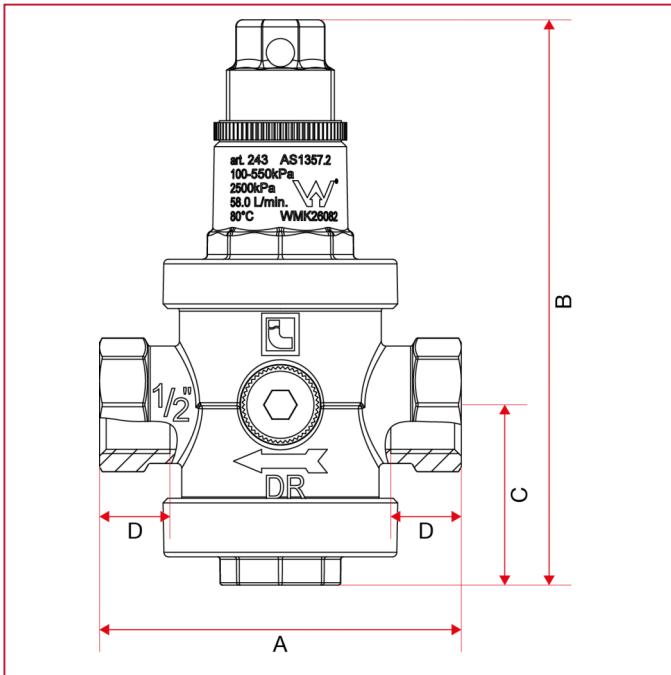




# PRESSURE REDUCING VALVES

## 243 EUROPRESS pressure reducing valve dezincification resistant brass

### OVERALL DIMENSIONS



	1/2"	3/4"	1"	1"1/4	1"1/2	2"
DN	15	20	25	32	40	50
A	77	85	91	118	126	142
B	125,5	125,5	159	218	225	250
C	40	40	59	69,5	126	87
D	15	16,3	19,1	18	18	20
Kg/cm <sup>2</sup> bar	25	25	25	25	25	25
LBS - psi	362,5	362,5	362,5	362,5	362,5	362,5