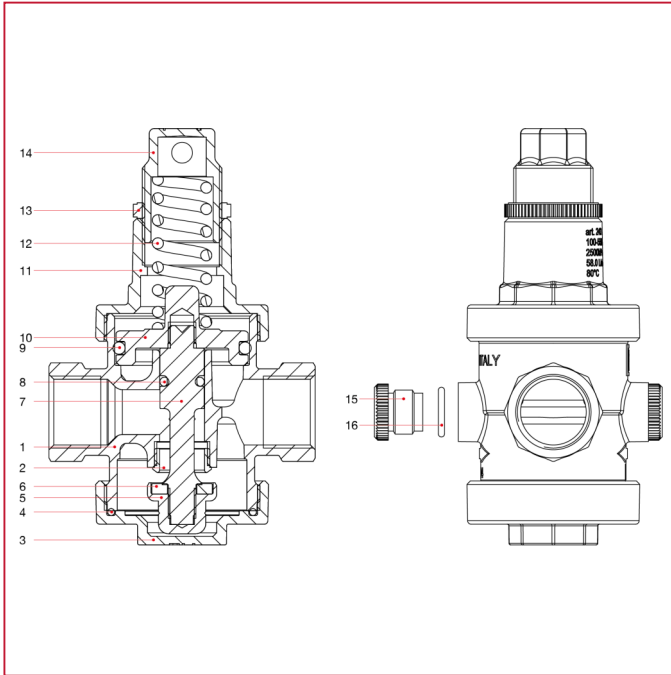




PRESSURE REDUCING VALVES

243 EUROPRESS pressure reducing valve dezincification resistant brass

MATERIALS sizes 1/2" through 1"

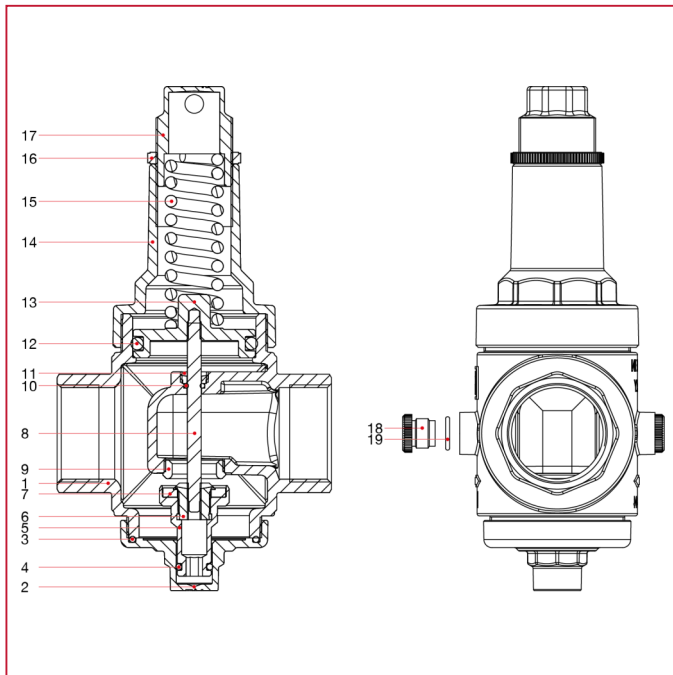


POS.	DESCRIPTION	N.	MATERIAL
1	Body	1	Brass CW625N
2	Seat	1	Stainless steel AISI 303
3	Bottom plug	1	Brass CW625N
4	O-ring	1	EPDM
5	Shutter	1	Brass CW625N
6	Flat seat washer	1	EPDM
7	Stem	1	Brass CW625N
8	O-ring	1	EPDM
9	O-ring	1	EPDM
10	Diaphragm	1	Brass CW625N
11	Upper plug	1	Brass CW617N
12	Spring	1	EN 10270-1 DH
13	Nut	1	Polimero
14	Regulator	1	Brass CW617N
15	Cap	2	Polymer
16	O-ring	2	EPDM



PRESSURE REDUCING VALVES

MATERIALS sizes 1"1/4 through 4"



POS.	DESCRIPTION	N.	MATERIAL
1	Body	1	Brass CC770S
2	Bottom plug	1	Brass CW625N
3	O-ring	1	EPDM
4	O-ring	1	NBR
5	Shutter	1	Brass CW625N
6	Stop washer	1	Brass CW625N
7	Flat seat washer	1	NBR
8	Stem	1	Stainless steel AISI 303
9	Seat	1	Stainless steel AISI 303
10	O-ring	1	NBR
11	Stop ring	1	Brass CW625N
12	O-ring	1	NBR
13	Diaphragm	1	Brass CW625N
14	Upper plug	1	Brass CW617N
15	Spring	1	EN 10270-1 SM/SH
16	Nut	1	Polymer
17	Regulator	1	Brass CW617N
18	Cap	2	Polimero
19	O-ring	2	EPDM