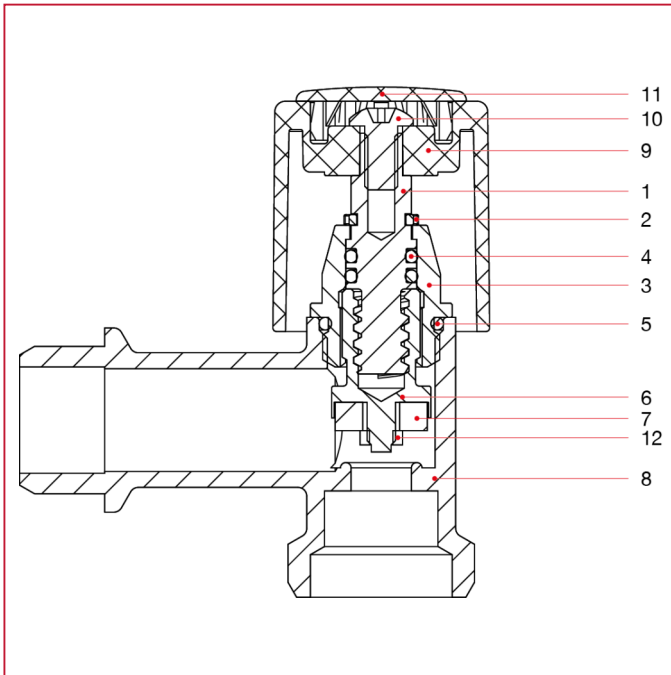




# WASHING MACHINE VALVES

## 250 Washing machine valve

### MATERIALS



| POS. | DESCRIPTION | N. | MATERIAL                   |
|------|-------------|----|----------------------------|
| 1    | Pin         | 1  | Brass CW617N               |
| 2    | Seeger      | 1  | CW452K                     |
| 3    | Cap         | 1  | Brass CW617N               |
| 4    | O-ring      | 2  | EPDM                       |
| 5    | O-ring      | 1  | EPDM                       |
| 6    | Screw       | 1  | Brass CW617N               |
| 7    | Washer      | 1  | EPDM                       |
| 8    | Body        | 1  | Chrome-plated brass CW617N |
| 9    | Handle      | 1  | Chrome-plated ABS          |
| 10   | Screw       | 1  | Zinc-plated steel C4C      |
| 11   | Clip        | 1  | Varnished ABS              |
| 12   | Nut         | 1  | Brass CW614N               |