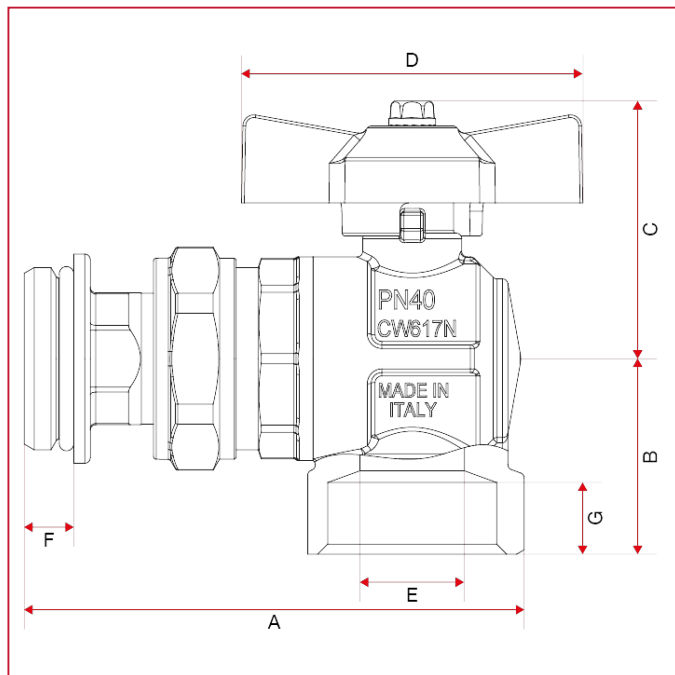




ACCESSORIES FOR MANIFOLDS

298RSK Angle ball valves kit – Compact

OVERALL DIMENSIONS



	1"
DN	25
A	91
B	35,5
C	47
D	62
E	19
F	9
G	13
Kg/cm ² bar	40
LBS - psi	580