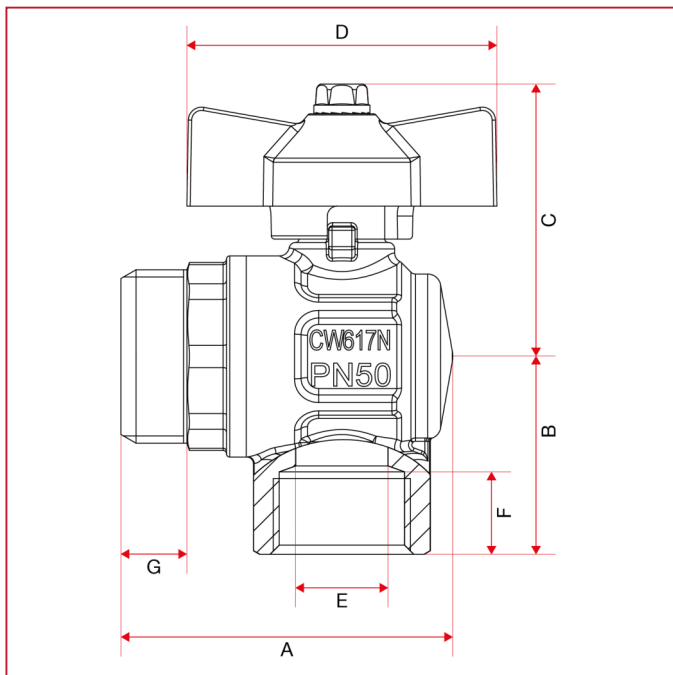




# FULL FLOW BALL VALVES: IDEAL

## **298SDCB** Ideal angle ball valve without union, full flow for manifolds

### OVERALL DIMENSIONS



	1/2"	3/4"	1"
DN	15	20	25
A	33,5	40	47
B	30	33,5	39,75
C	41,3	47	51
D	47	62	62
E	14	19	24
F	12,5	13,5	15
G	10	12	14
Kg/cm <sup>2</sup> bar	50	40	40
LBS - psi	725	580	580